

SPIRIT[®]



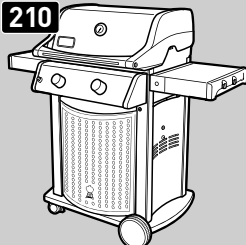
GAS GRILL

Assembly Guide

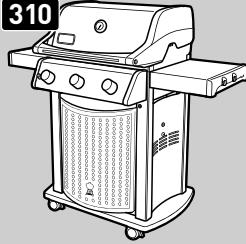
210 CLASSIC • 310 CLASSIC

#58303

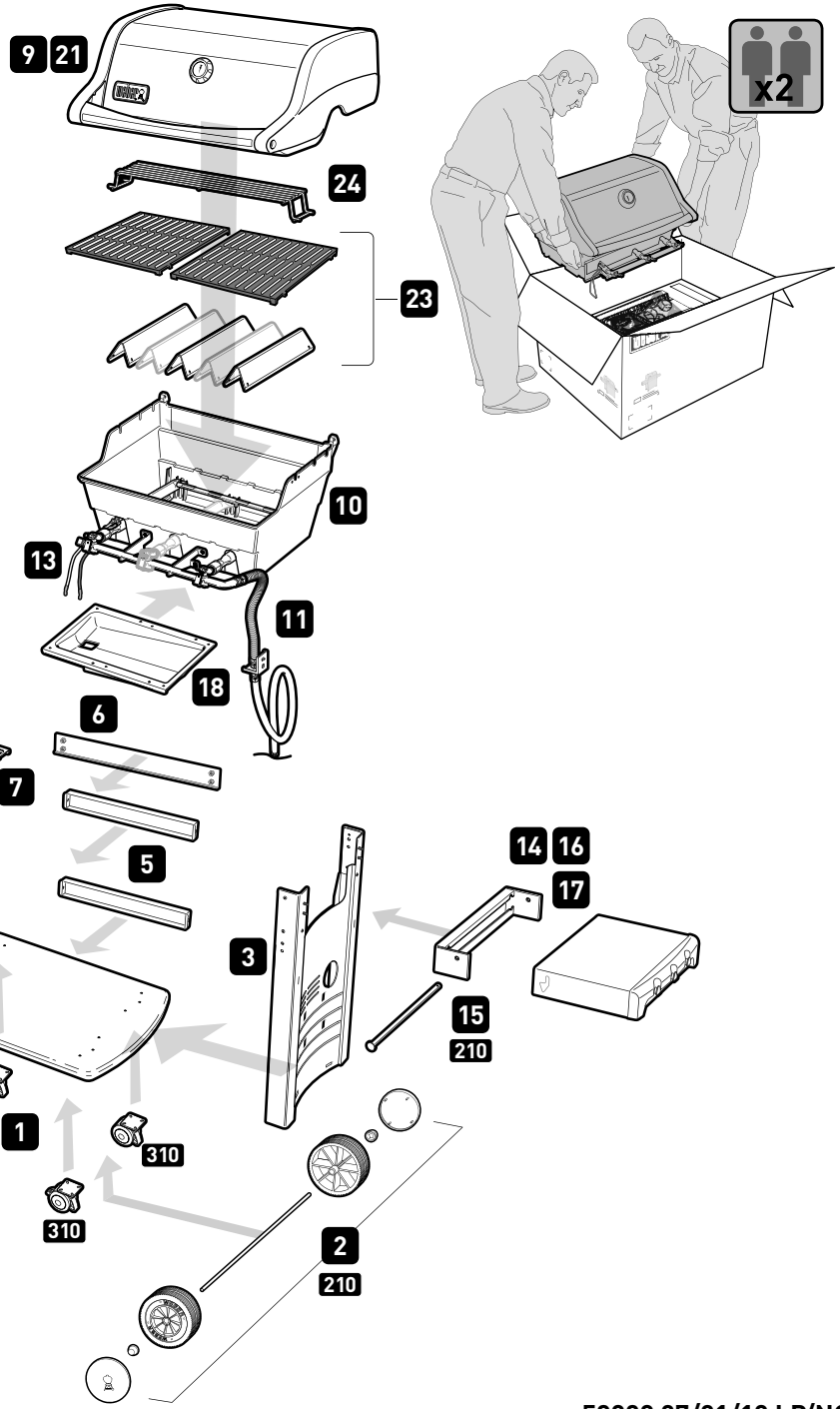
TOOLS NEEDED:



7/16" 7/16", 9/16"

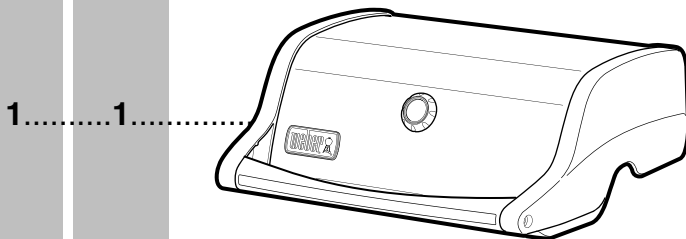
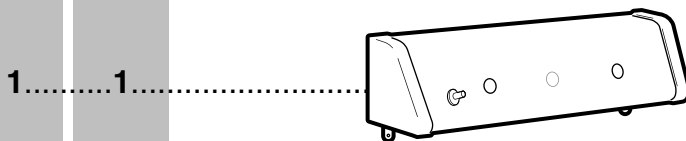
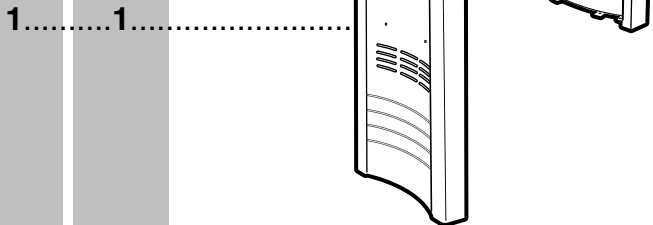
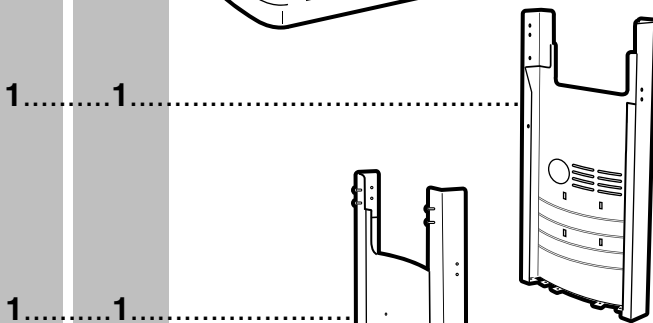
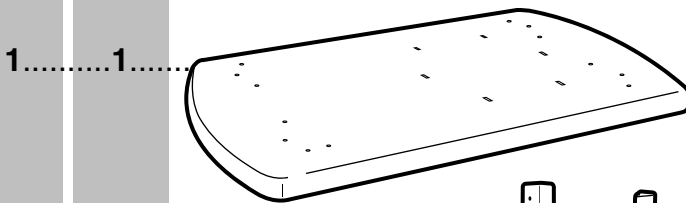
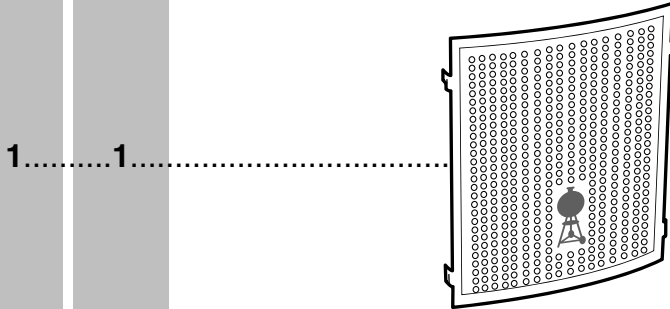
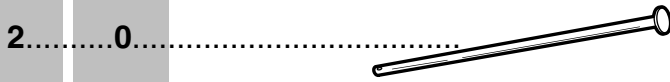
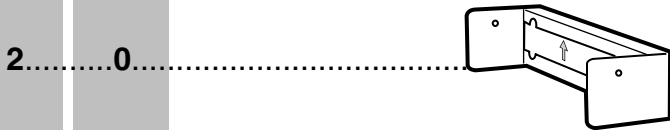


210 210



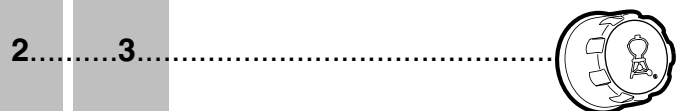
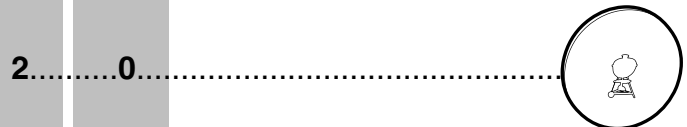
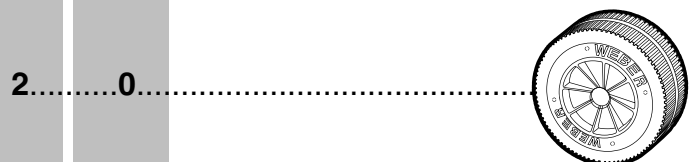
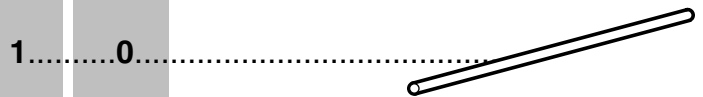
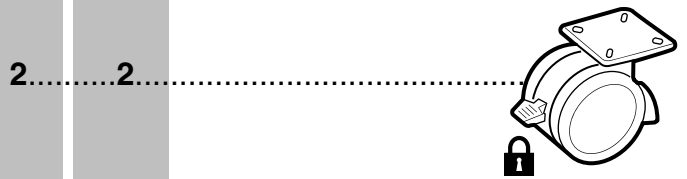
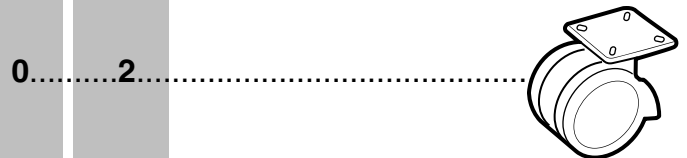
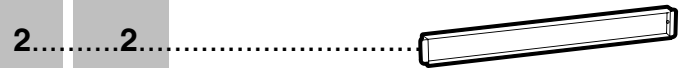
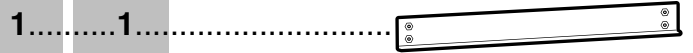
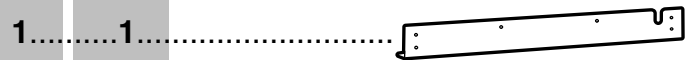
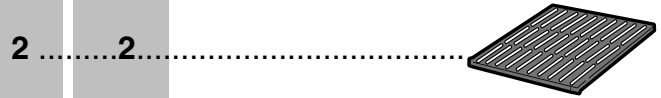
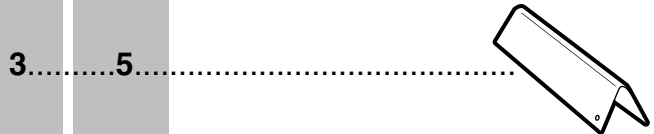
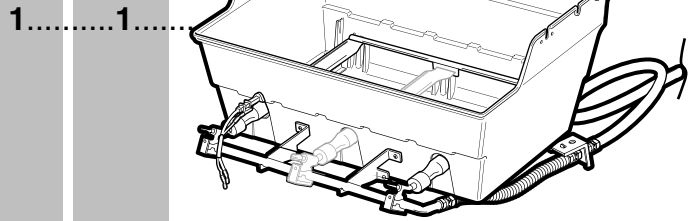
210

310



210

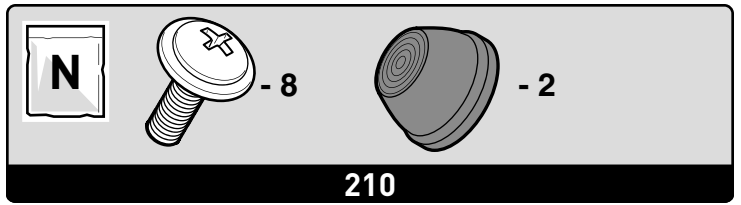
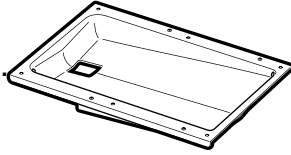
310



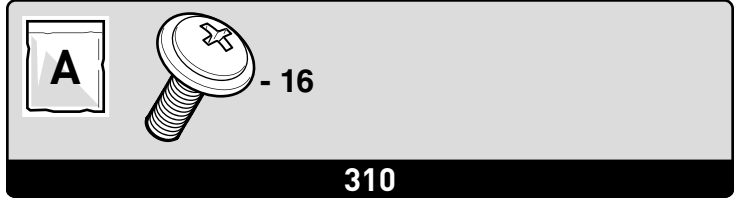
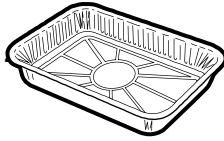
210

310

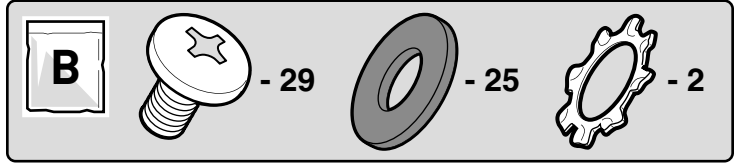
1 1



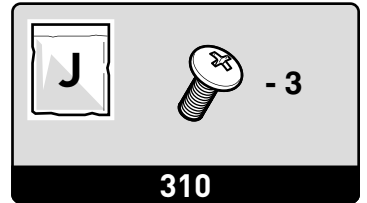
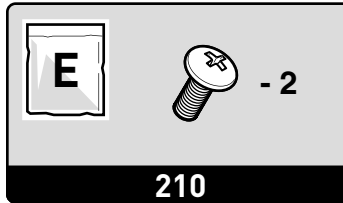
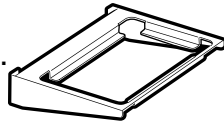
1 1



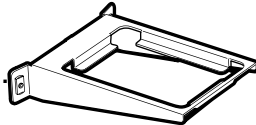
1 1



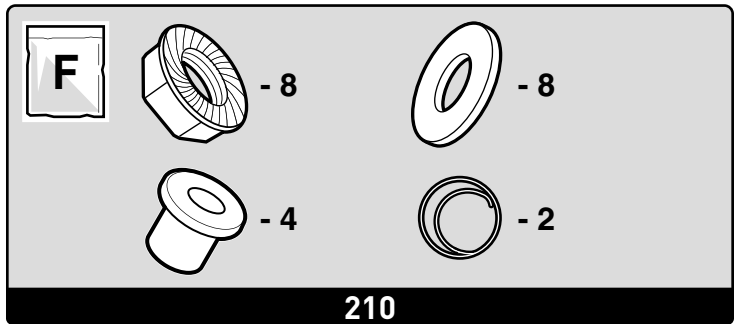
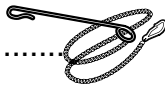
1 0



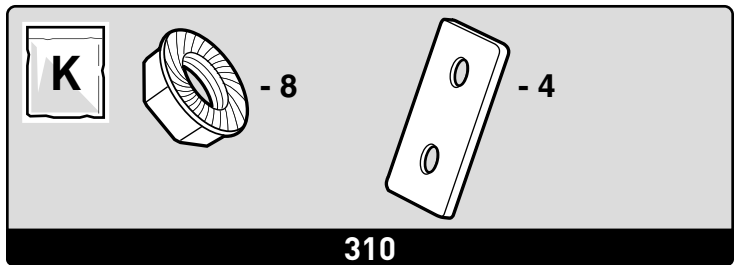
0 1



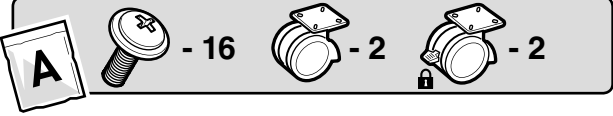
1 1



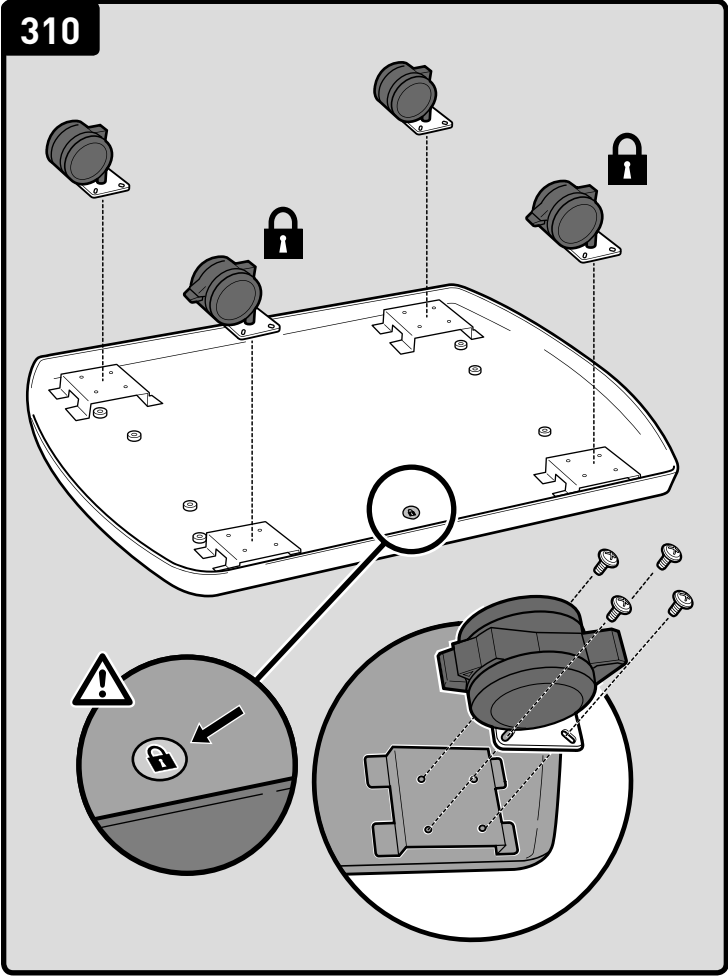
1 1



1



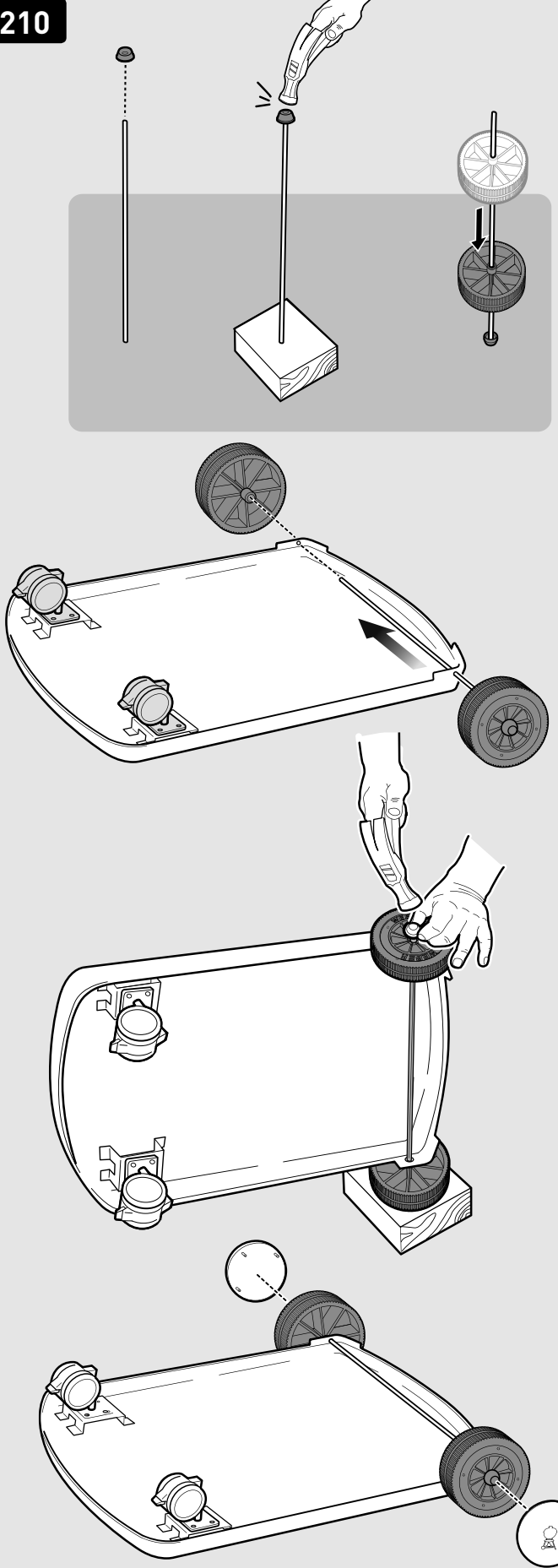
310



2



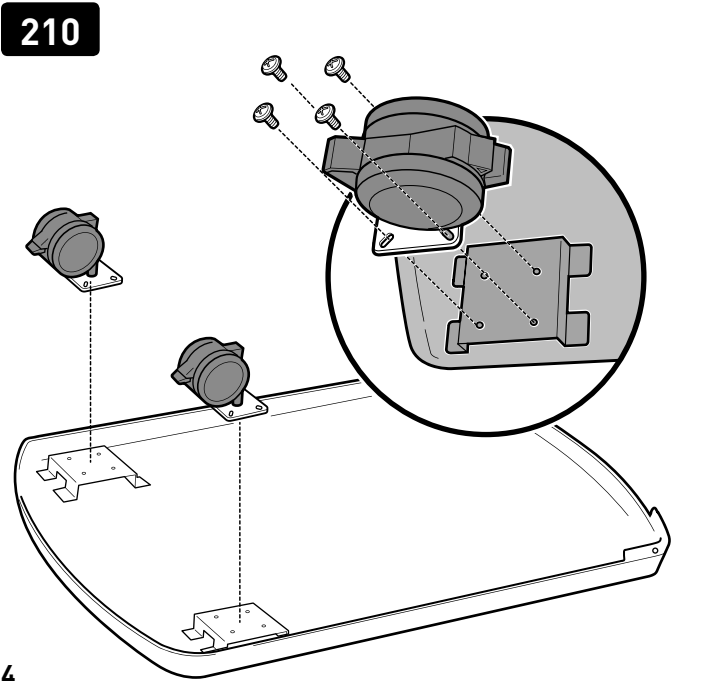
210



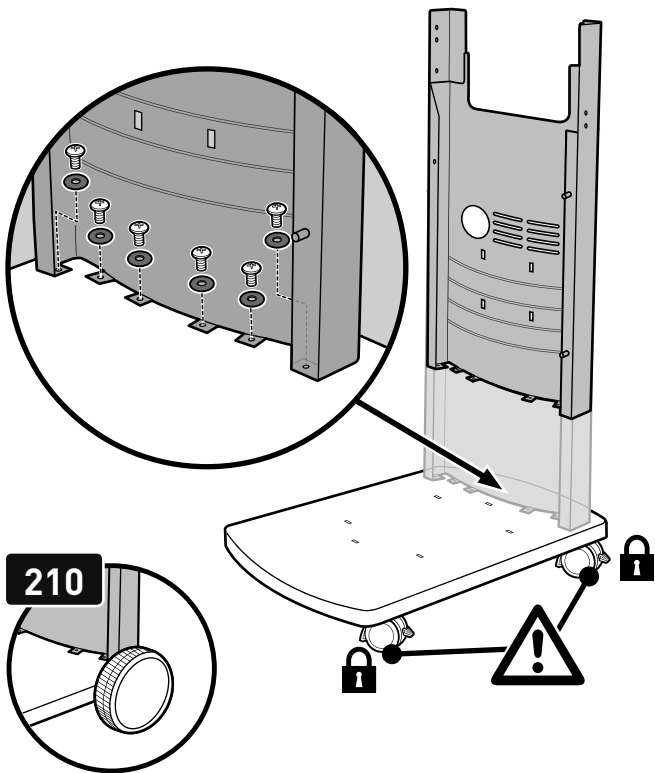
1



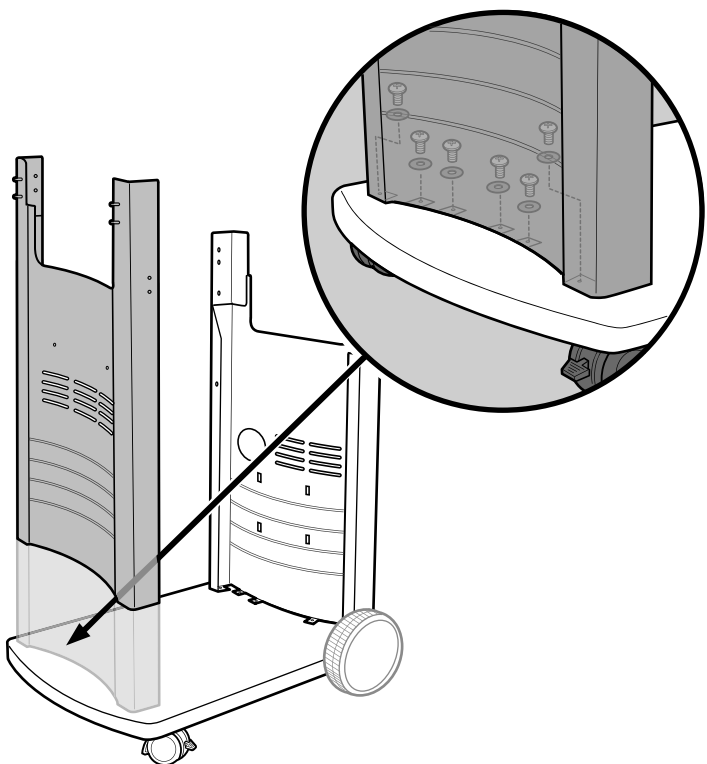
210



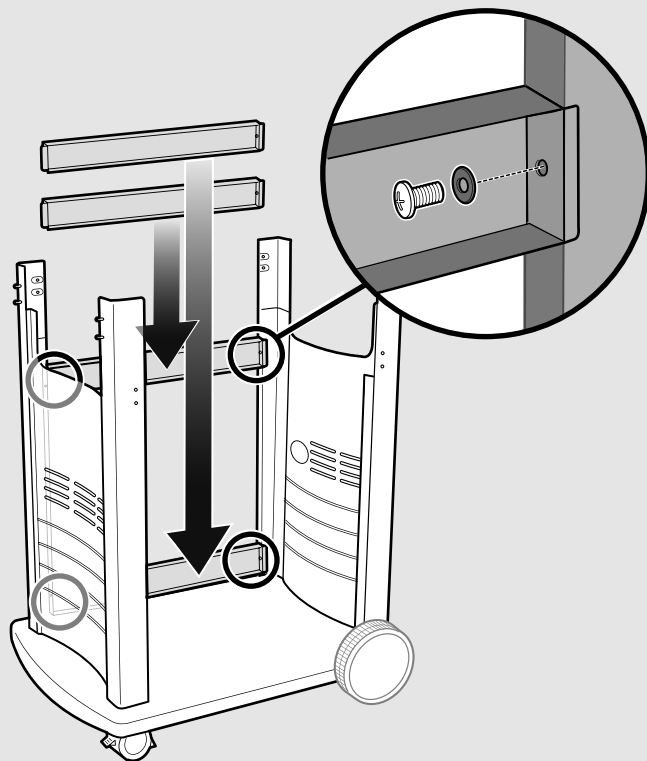
3 **B** - 6 - 6



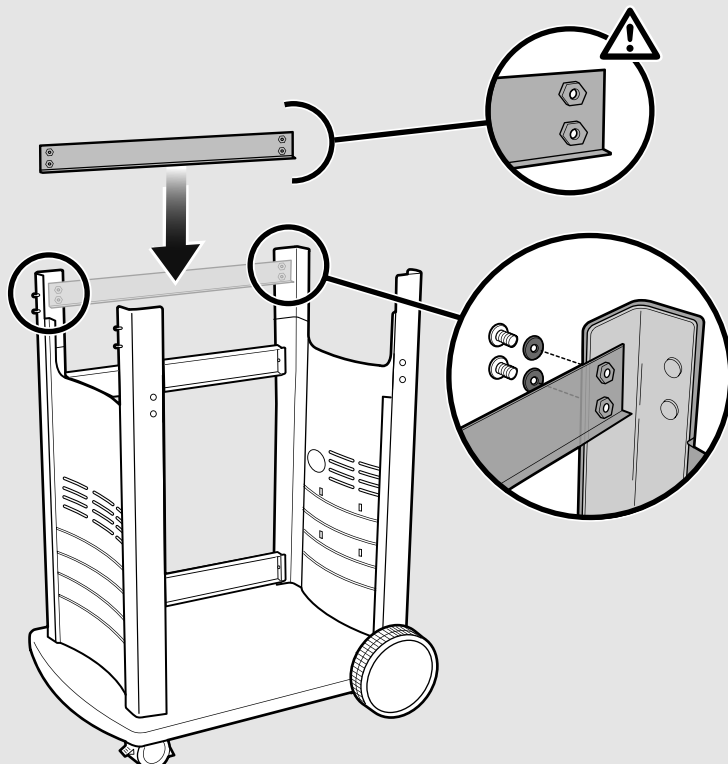
4 **B** - 6 - 6





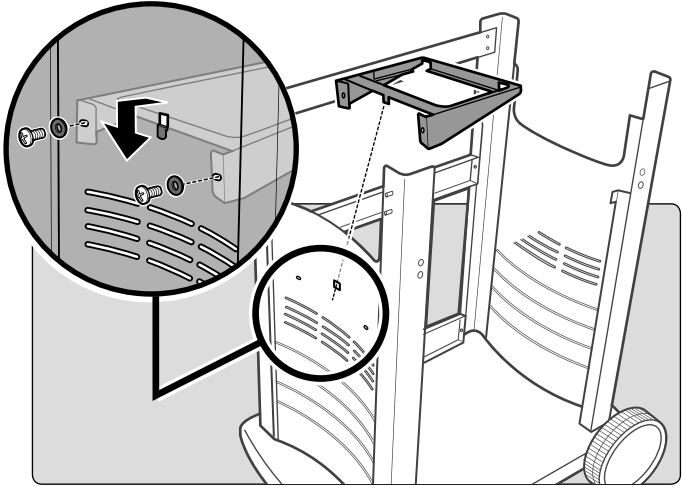
5 **B** - 4 - 4





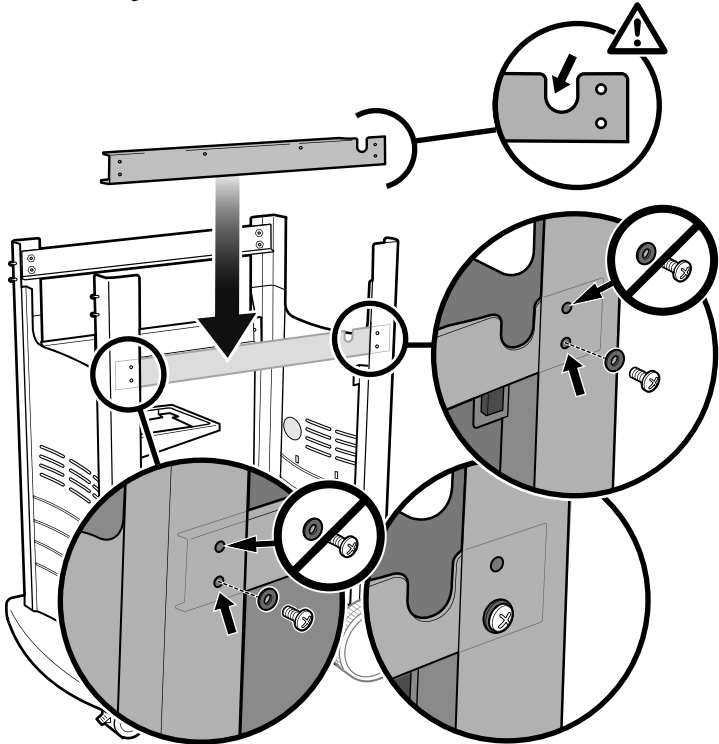
6 **B** - 4 - 4



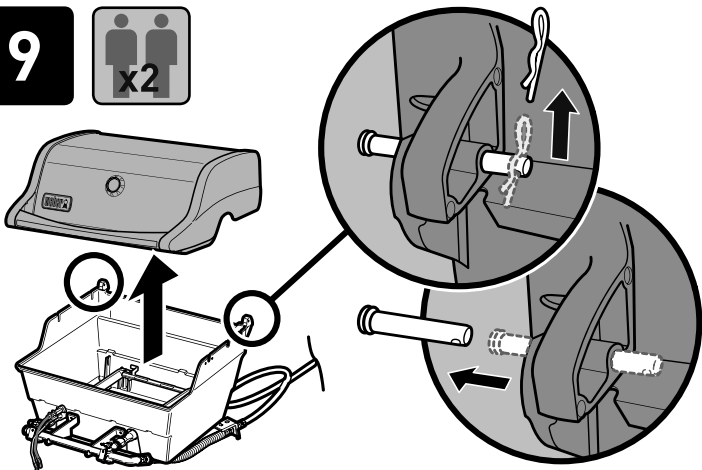
7 **B**  -2  -2



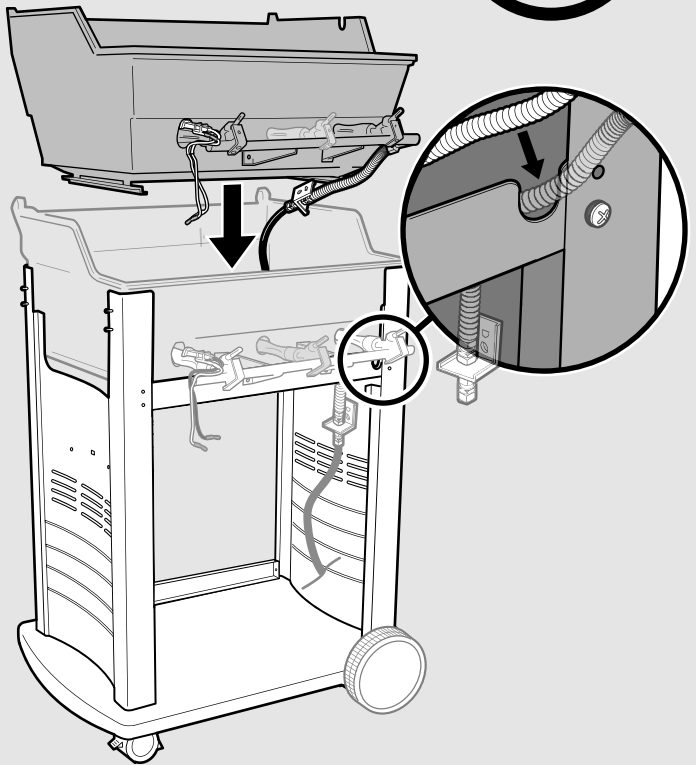
8 **B**  -2  -2



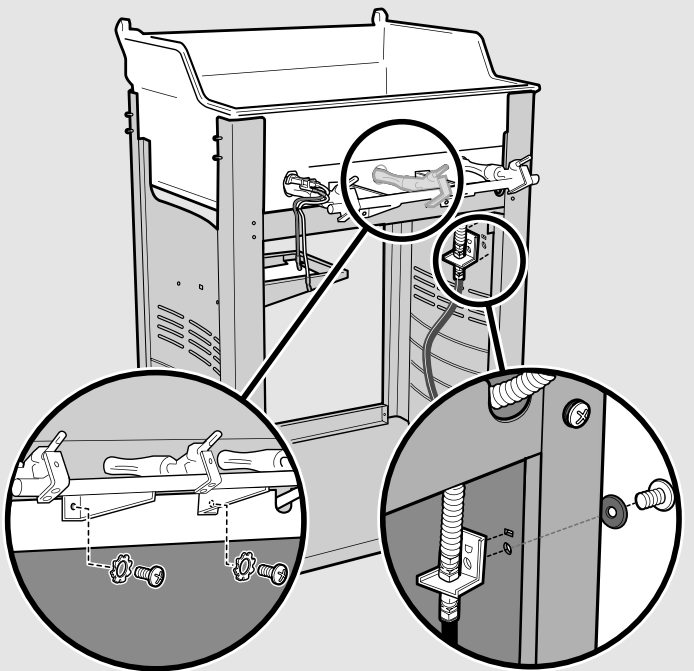
9  x2



10  x2  

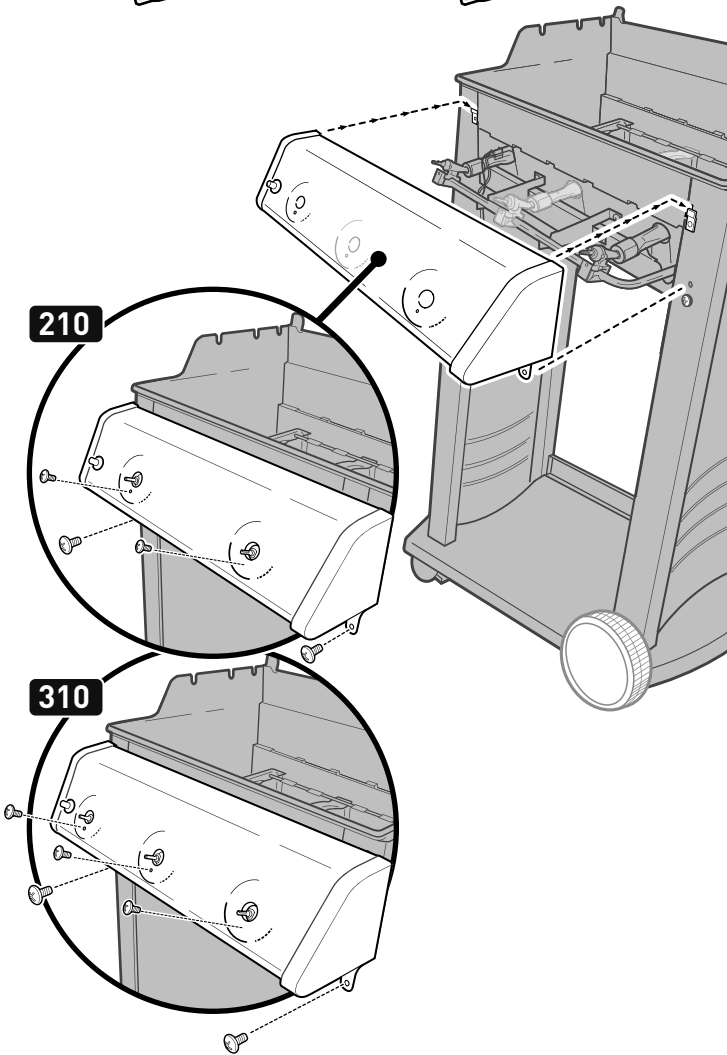
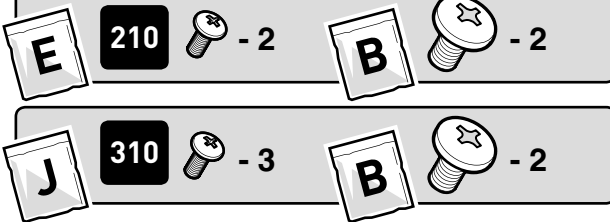


11 **B**  -3  -2  -1

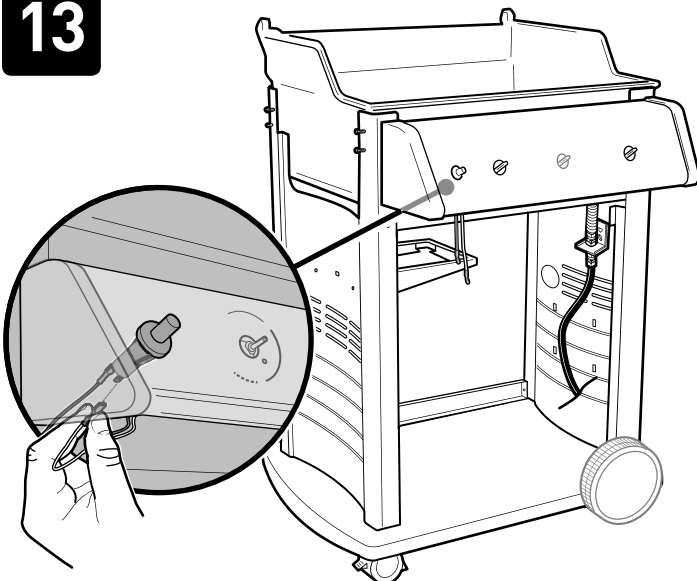


See Owner's Guide for full gas instructions.

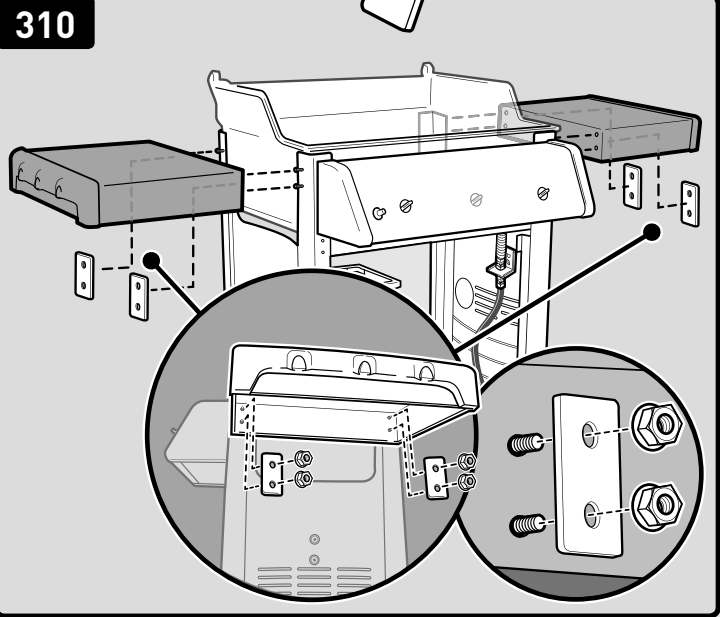
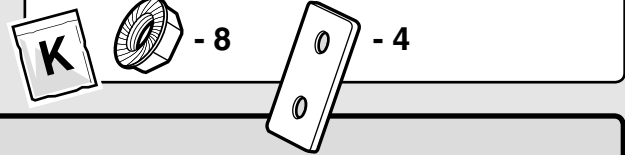
12



13



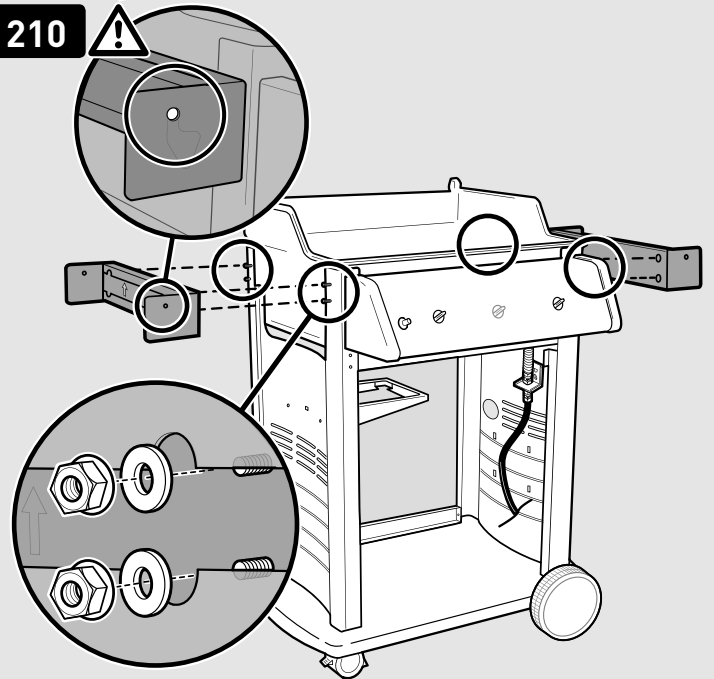
14



14



210



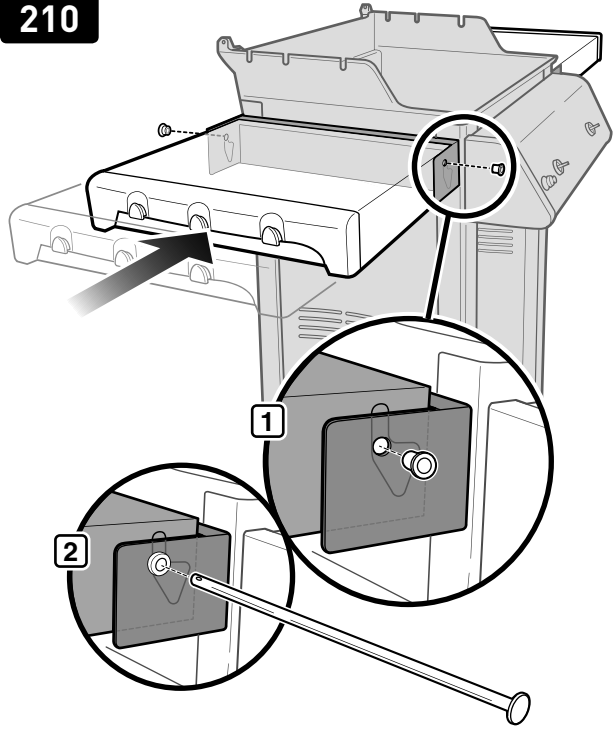
Tighten the nuts until snug. Turn only a quarter turn further. DO NOT OVER TIGHTEN.



15



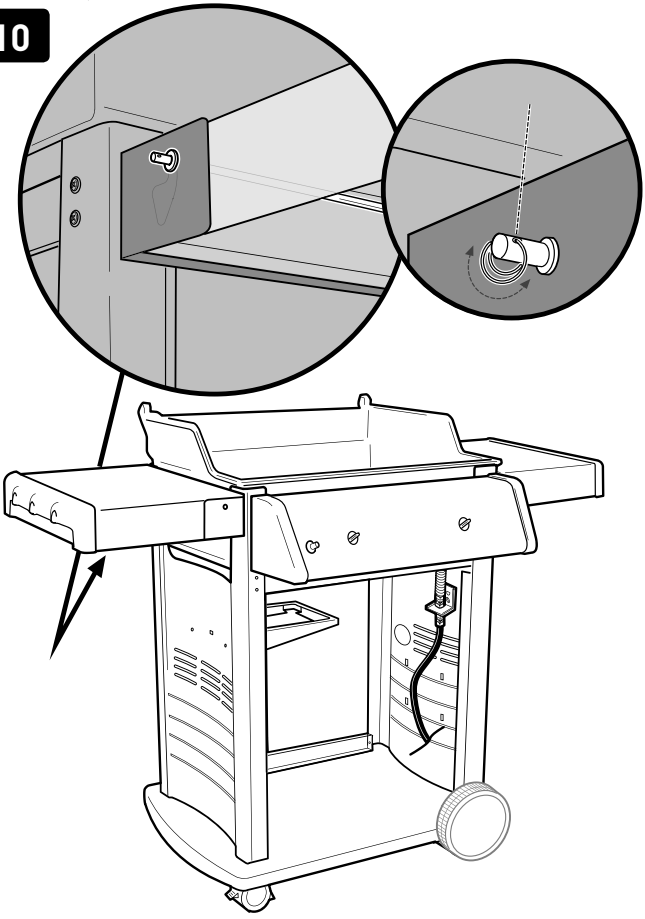
210



16

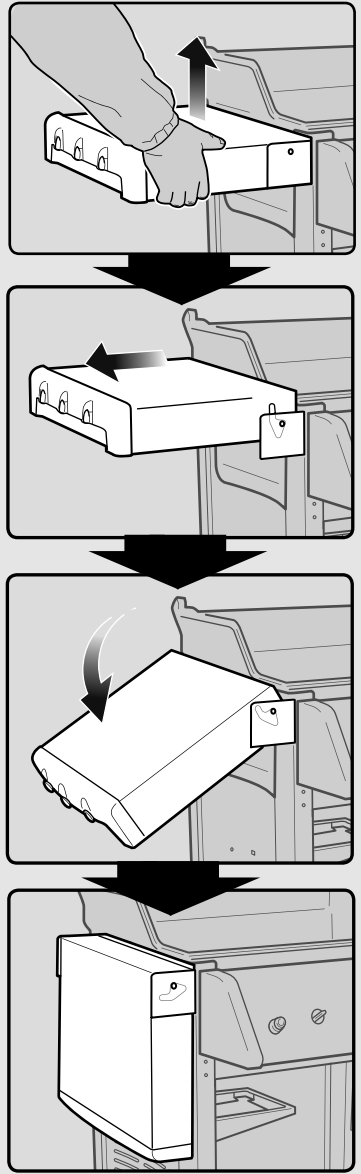


210

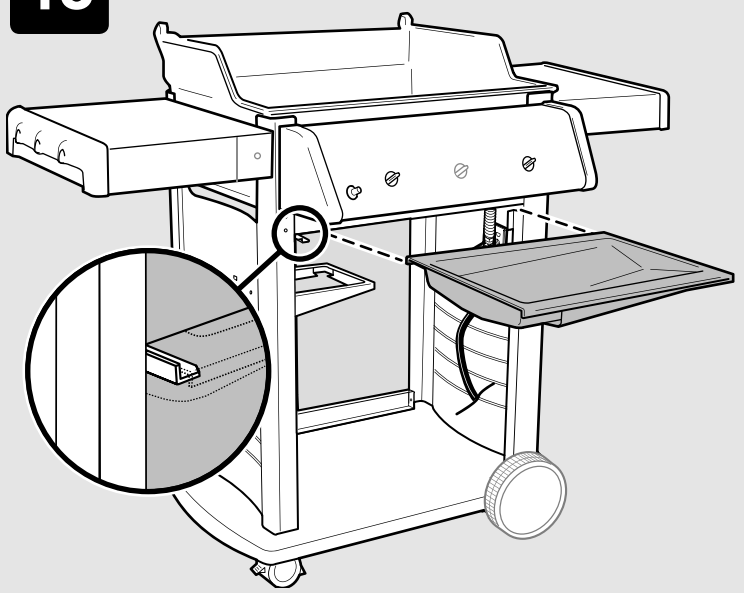


17

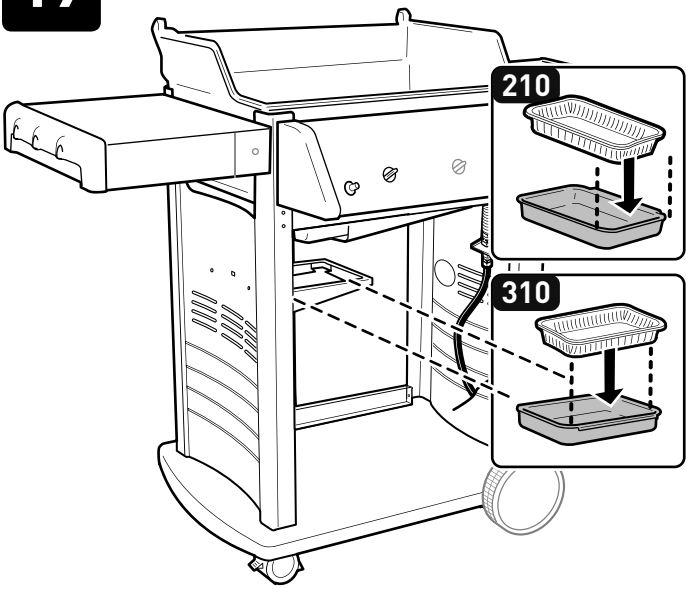
210



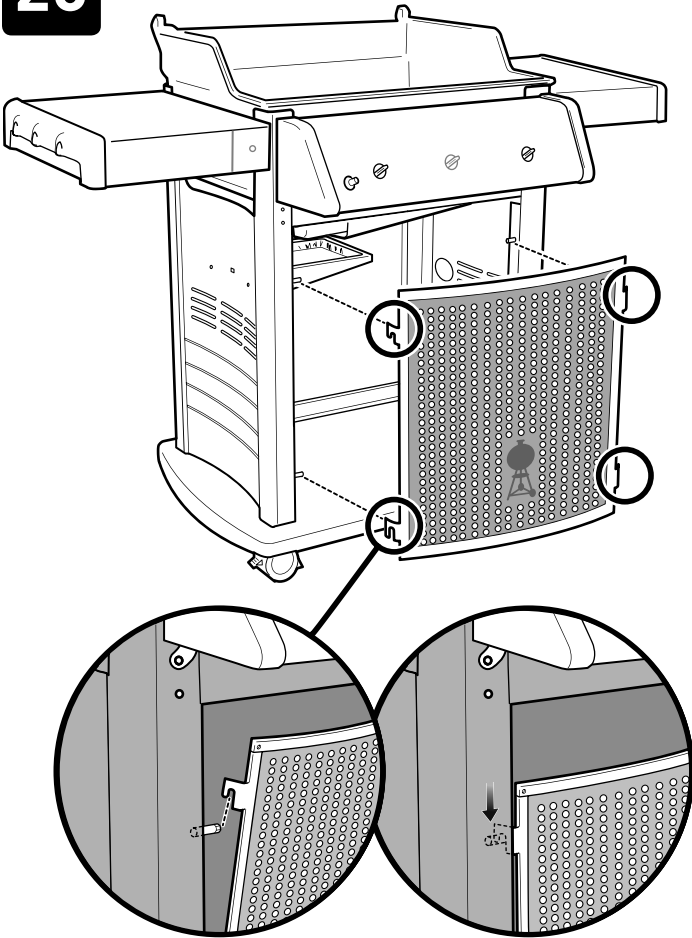
18



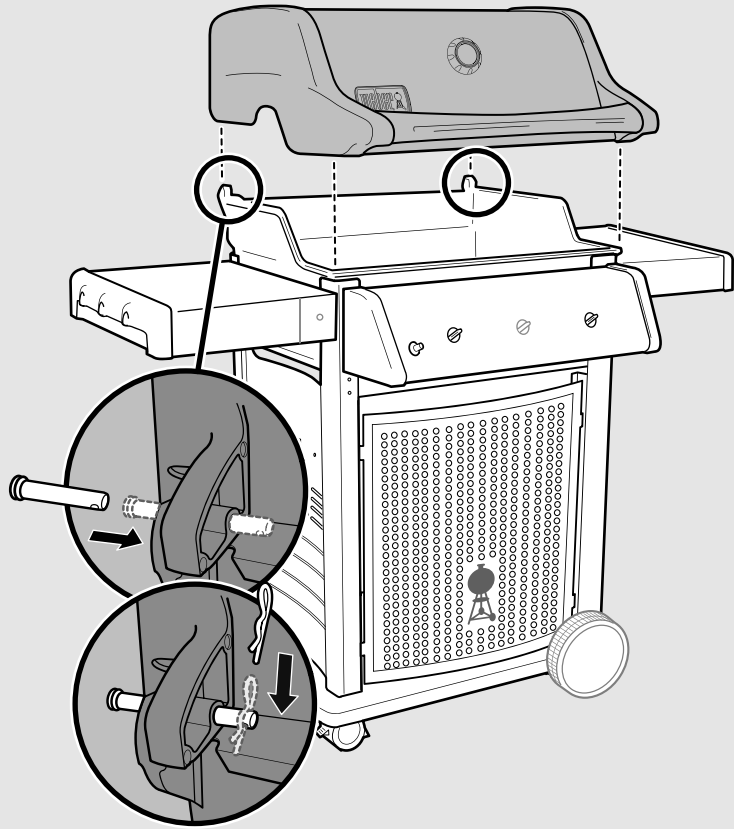
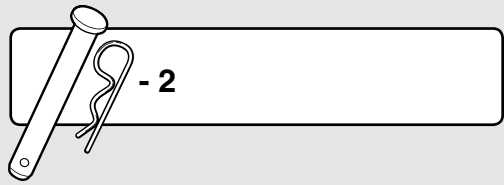
19



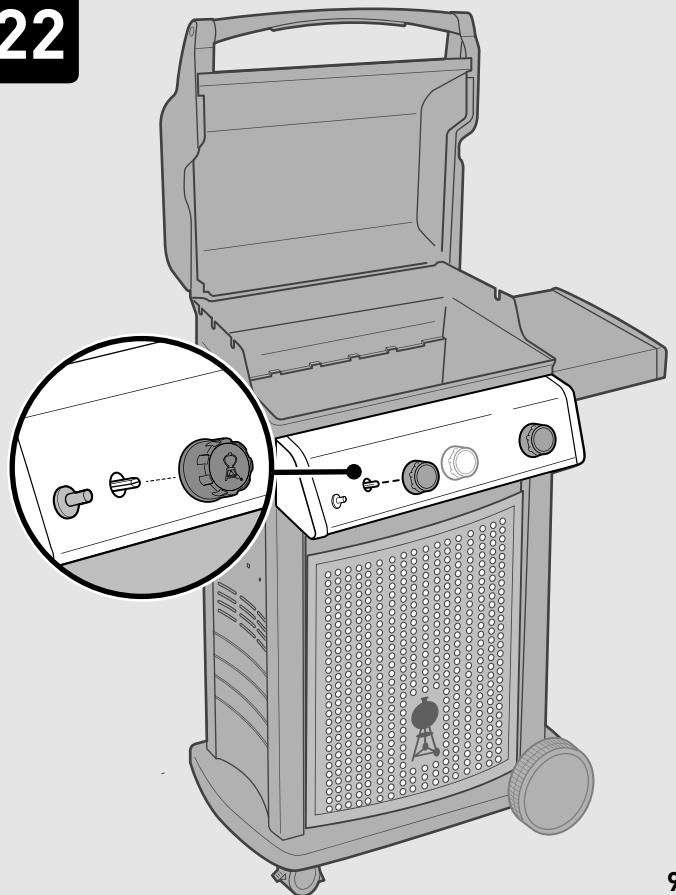
20



21



22



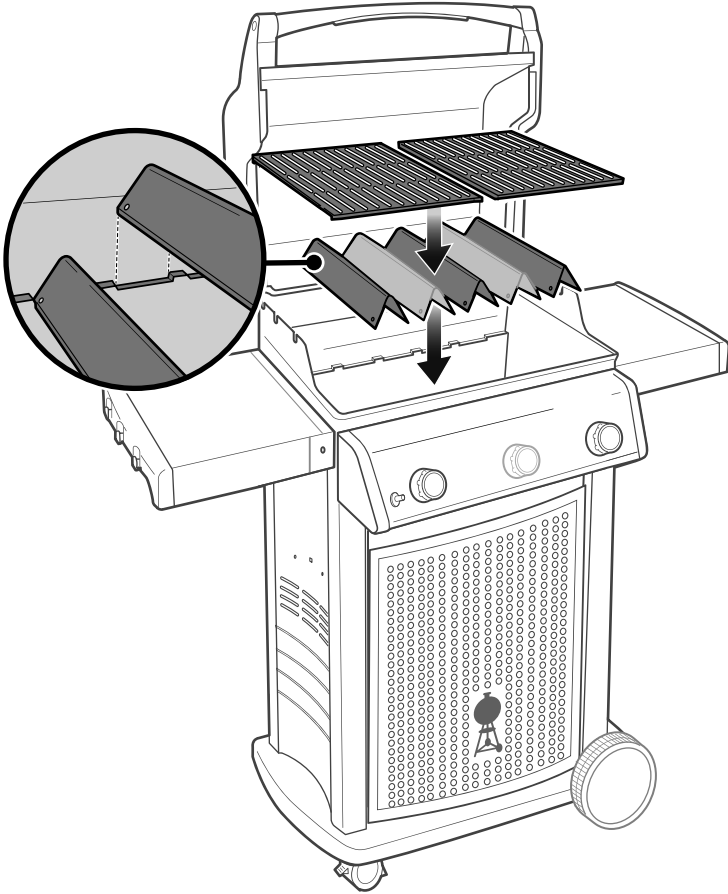
23

210

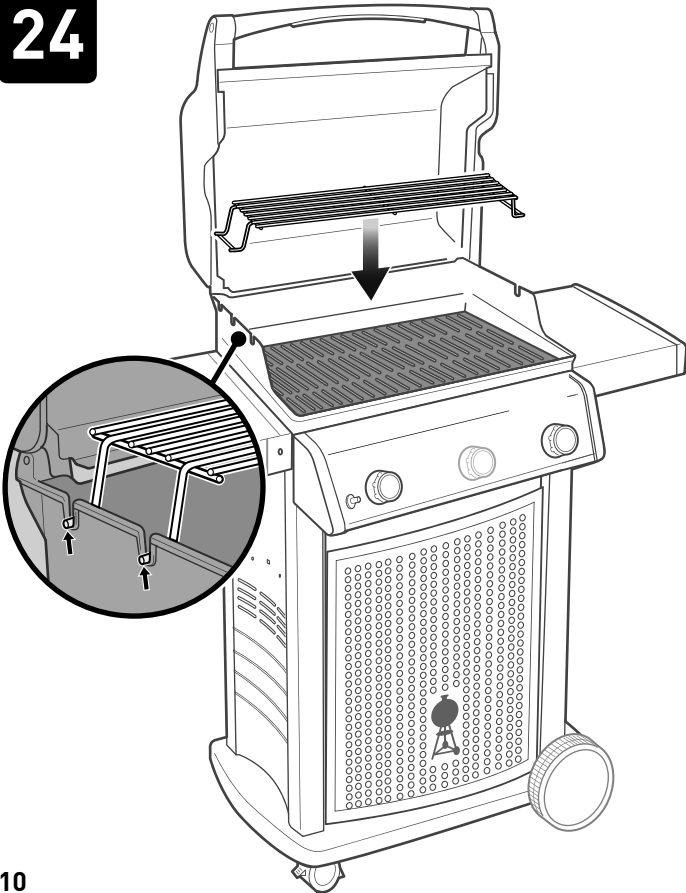
- 3

310

- 5

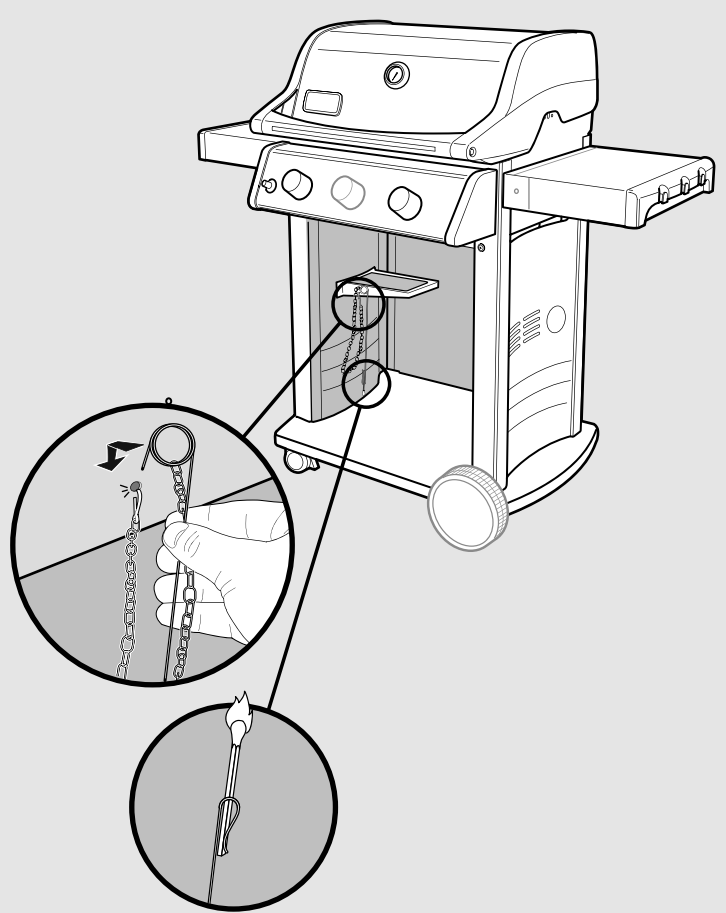


24



25

- 1





WEBER-STEPHEN PRODUCTS LLC
www.weber.com[®]

© 2013 Designed and engineered by Weber-Stephen Products LLC,
200 East Daniels Road, Palatine, Illinois 60067 U.S.A.