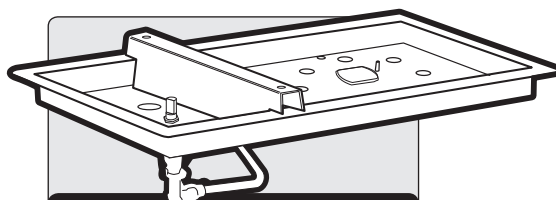




THIS PROCEDURE SHOULD ONLY BE PERFORMED BY AN AUTHORIZED
WEBER-STEPHEN PRODUCTS LLC SERVICE TECHNICIAN

⚠ WARNING: GENUINE WEBER-STEPHEN REPLACEMENT PARTS MUST BE USED FOR ANY REPAIR OR REPLACEMENT. YOUR ACTIONS, IF YOU FAIL TO FOLLOW THIS PRODUCT WARNING, MAY CAUSE A FIRE, AN EXPLOSION, OR STRUCTURAL FAILURE RESULTING IN SERIOUS PERSONAL INJURY OR DEATH AS WELL AS DAMAGE TO PROPERTY. (WILL VOID ALL WARRANTY PROTECTION.)

⚠ DANGER: BEFORE PERFORMING ANY WORK MAKE SURE THE GAS SUPPLY IS TURNED OFF AT THE SOURCE. FAILURE TO FOLLOW DANGERS, WARNINGS AND CAUTIONS CONTAINED IN THIS INSTRUCTION SHEET MAY CAUSE A FIRE OR AN EXPLOSION RESULTING IN SERIOUS PERSONAL INJURY OR DEATH AS WELL AS DAMAGE TO PROPERTY.

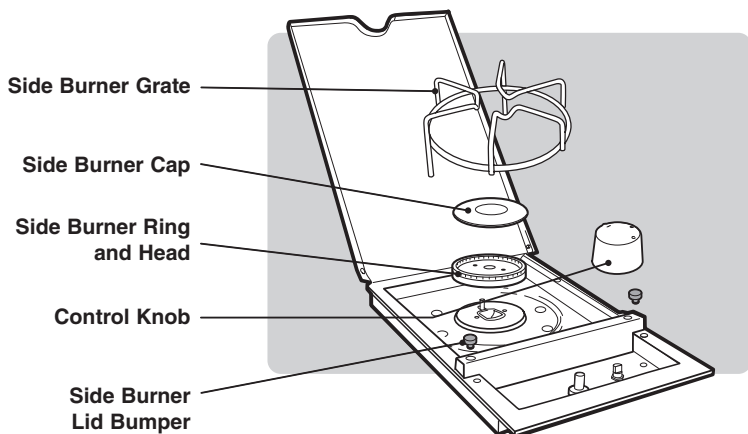


SIDE BURNER ASSEMBLY REPLACEMENT

⚠ BEFORE STARTING: Make sure lid is closed and casters are locked to prevent grill from moving.

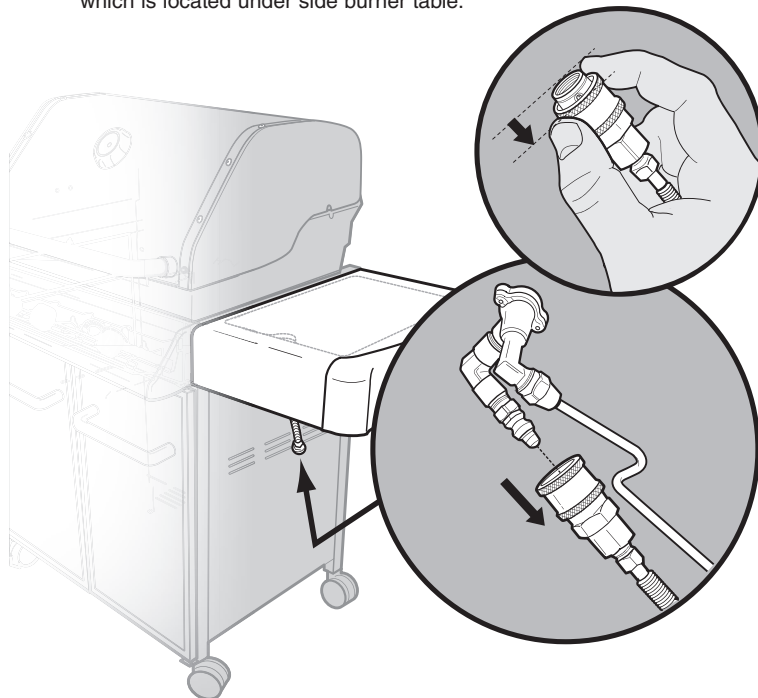
1 SIDE BURNER COMPONENT REMOVAL

- A) Lift side burner lid.
- B) Remove all side burner components from top of side burner assembly.




2 SIDE BURNER GAS LINE REMOVAL

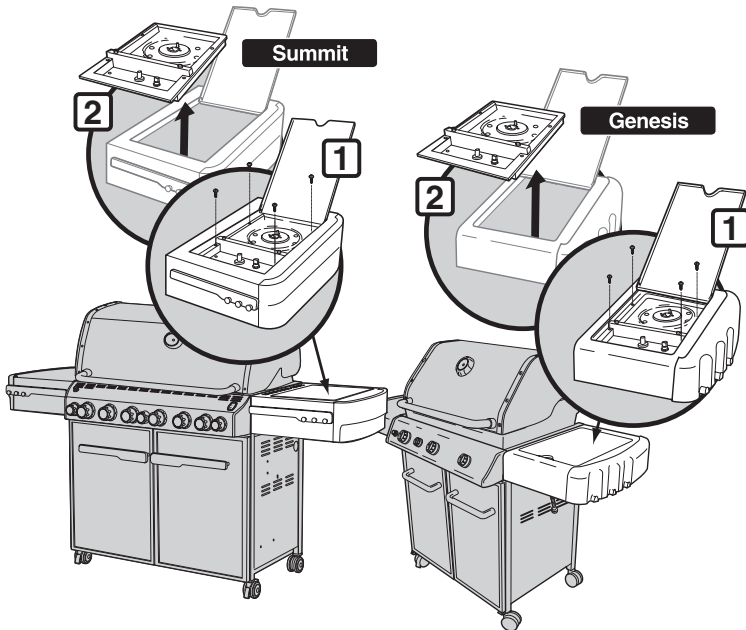
- A) Remove quick-disconnect side burner gas line from side burner assembly, which is located under side burner table.



3 SIDE BURNER ASSEMBLY REMOVAL

TOOLS NEEDED:  - PHILLIPS

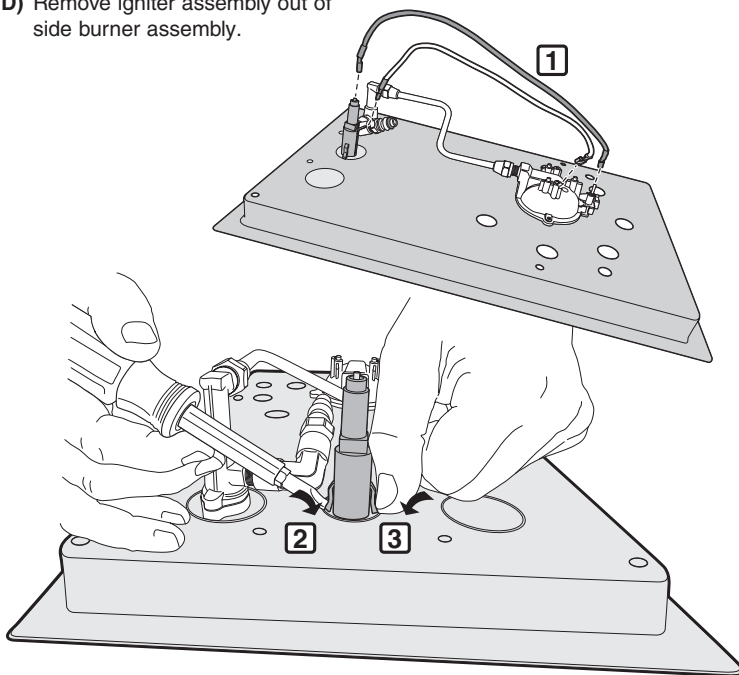
- Remove screws that secure side burner assembly to side burner table (1) with a Phillips head screwdriver.
- Lift and remove side burner assembly (2) from side burner table.



4 SIDE BURNER IGNITER REMOVAL

TOOLS NEEDED:  - FLAT HEAD

- Under side burner assembly. Remove side burner igniter wires (1) from side burner igniter.
- Press in left clip of side burner igniter (2), using a flathead screwdriver until it releases from side burner assembly.
- Press in right clip of side burner igniter (3), using your thumb until it releases from side burner assembly.
- Remove igniter assembly out of side burner assembly.



REPLACEMENT PART INSTALLATION

5 SIDE BURNER IGNITER REINSTALLATION

- Reinstall side burner igniter assembly (1) in side burner assembly.
- Flip side burner assembly over. Reinstall side burner igniter wires (2) onto side burner assembly.

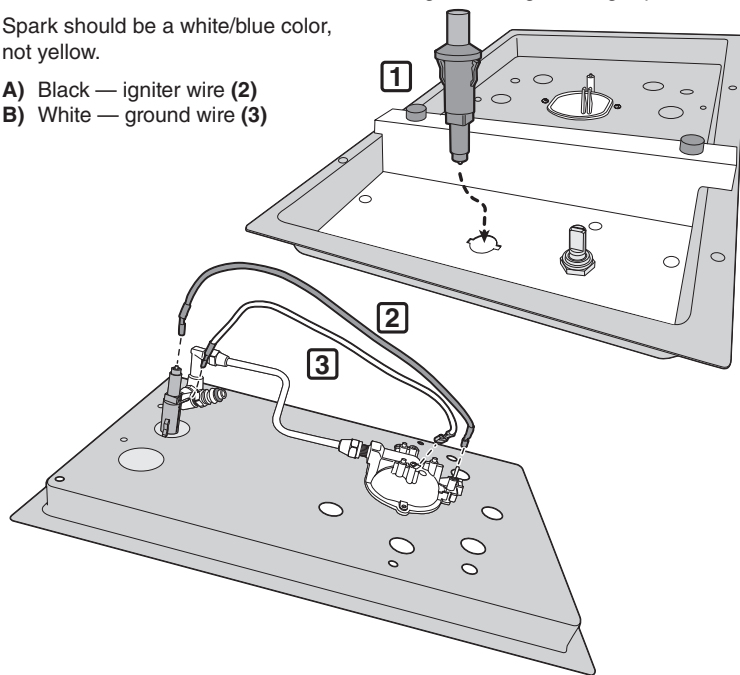
⚠ WARNING: All gas controls and supply valves should be in the OFF position.

Make sure black wire is connected between igniter and electrode.


Make sure white wire is connected between igniter and grounding clip.

Spark should be a white/blue color, not yellow.

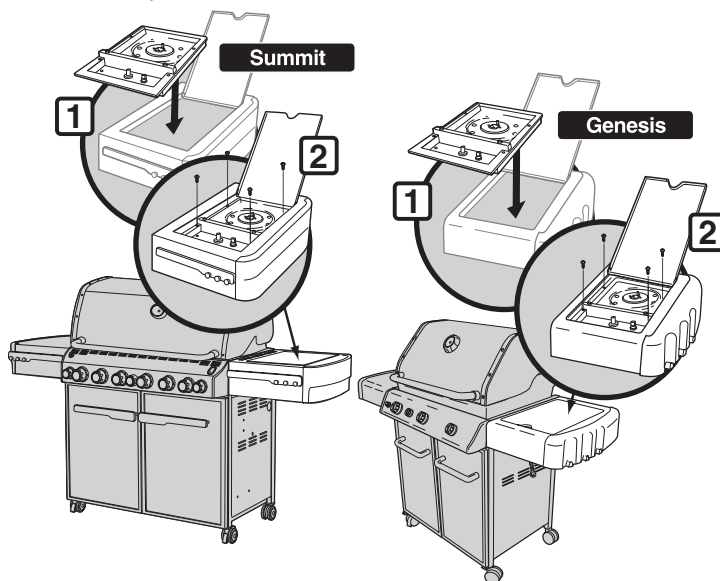
- Black — igniter wire (2)
- White — ground wire (3)



6 SIDE BURNER ASSEMBLY INSTALLATION

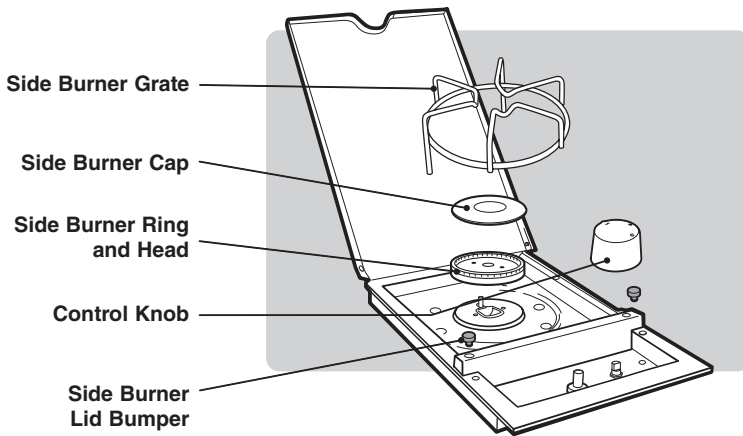
TOOLS NEEDED:  - PHILLIPS

- Lift side burner lid. Install side burner assembly (1) into side burner table.
- Install screws that secure side burner assembly to side burner table (2) with a Phillips head screwdriver.



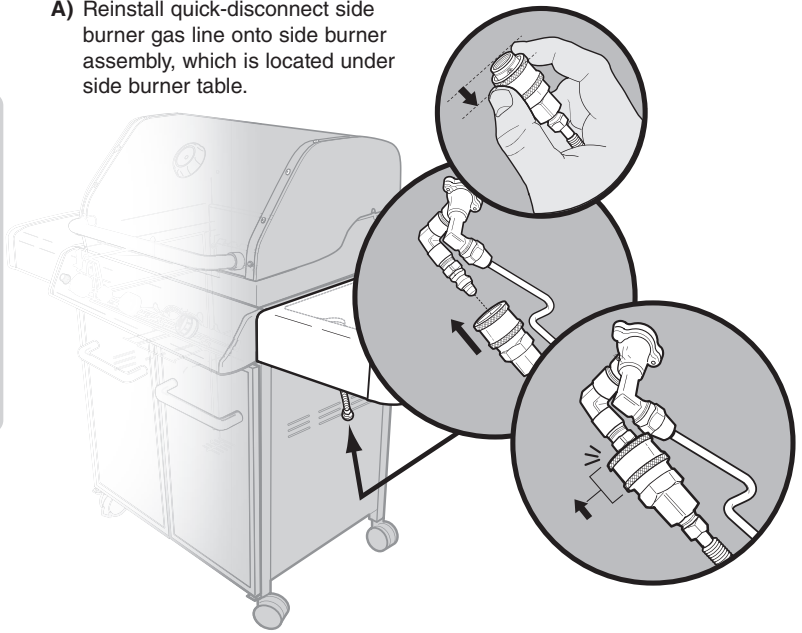
7 SIDE BURNER COMPONENT REINSTALLATION

- A) Place all side burner components onto top of burner assembly.
B) Close side burner lid.



8 SIDE BURNER GAS LINE REINSTALLATION

- A) Reinstall quick-disconnect side burner gas line onto side burner assembly, which is located under side burner table.



⚠ WARNING: Make sure all control knobs are turned to the OFF position before reconnecting gas supply and operating grill. Your actions, if you fail to follow this Product Warning, may cause a fire, an explosion, or structural failure resulting in serious personal injury or death as well as damage to property.

9 CHECK FOR GAS LEAKS

⚠ DANGER

Do not use an open flame to check for gas leaks. Be sure there are no sparks or open flames in the area while you check for leaks. Sparks or open flames will result in a fire or explosion, which can cause serious bodily injury or death and damage to property.

You will need: a soap and water solution and a rag or brush to apply it.

- A) Mix soap and water.
B) Turn on the gas supply at the source.
C) Check for leaks by wetting the fittings with the soap and water solution and watching for bubbles. If bubbles form, or if a bubble grows, there is a leak.
D) When leak checking is complete, turn gas supply off at the source and rinse connections with water.

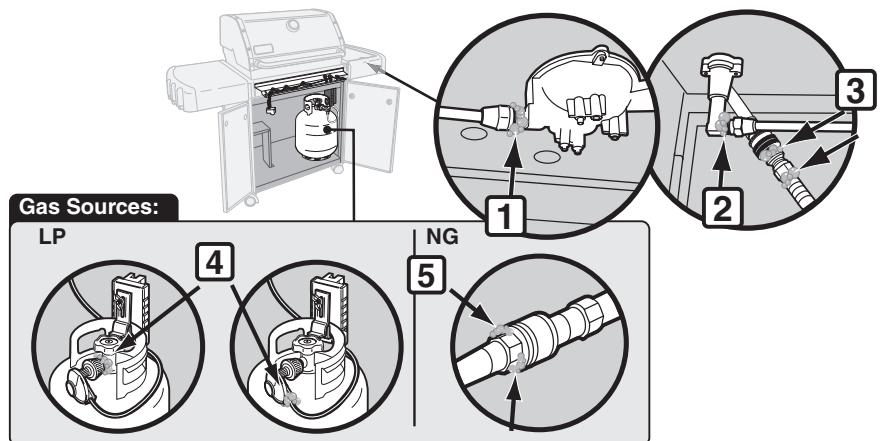
Check:

- A) Side burner pipe fitting-to-side burner cup (1).
B) Side burner pipe fitting-to-side burner valve connections (2).
⚠ WARNING: If there is a leak at connection (1 or 2), retighten fitting with a wrench and recheck for leaks with soap and water solution. If a leak persists after re-tightening the fitting, turn OFF the gas. **DO NOT OPERATE THE GRILL.** Failure to follow dangers, warnings and cautions contained in this Instruction sheet may cause a fire or an explosion resulting in serious personal injury or death as well as damage to property. Contact the Customer Service Representative in your area using the contact information on our web site. Log onto www.weber.com.

- C) Side burner quick-disconnect connections (3).
D) LP: Regulator hose-to-cylinder connections (4).
E) NG: Hose-to-quick-disconnect gas line connections (5).

⚠ WARNING: If there is a leak at connections (3, 4 or 5), turn OFF the gas. **DO NOT OPERATE THE GRILL.** Failure to follow dangers, warnings and cautions contained in this Instruction sheet may cause a fire or an explosion resulting in serious personal injury or death as well as damage to property. Contact the Customer Service Representative in your area using the contact information on our web site. Log onto www.weber.com.

When leak checks are complete, turn gas supply OFF at source and rinse connections with water.



⚠ WARNING: Make sure all parts are assembled and hardware is fully tightened before operating the grill. Your actions, if you fail to follow this Product Warning, may cause a fire, an explosion, or structural failure resulting in serious personal injury or death as well as damage to property.

⚠ PROPOSITION 65 WARNING: HANDLING THE BRASS MATERIAL ON THIS PRODUCT EXPOSES YOU TO LEAD, A CHEMICAL KNOWN TO THE STATE OF CALIFORNIA TO CAUSE CANCER, BIRTH DEFECTS OR OTHER REPRODUCTIVE HARM.

(WASH HANDS AFTER HANDLING THIS PRODUCT.)

⚠ WARNING: All repairs to gas carrying, gas burning, igniter or structural components must be performed by an authorized Weber-Stephen Products LLC service technician.

These parts may be gas carrying, gas burning, igniter or structural components. Please contact Weber-Stephen Products LLC, Customer Service Department for Genuine Weber-Stephen Products LLC replacement part(s) information.

⚠ WARNING: Do not attempt to make any repair to gas carrying, gas burning, igniter or structural components without contacting Weber-Stephen Products LLC, Customer Service Department. Your actions, if you fail to follow this Product Warning, may cause a fire, an explosion, or structural failure resulting in serious personal injury or death as well as damage to property.



WEBER-STEPHEN PRODUCTS LLC
Customer Service Center
1890 Roselle Road, Suite 308
Schaumburg, IL 60195

1-800-446-1071 (USA ONLY)
www.weber.com