



# SUMMIT®

#

**42390**

## BUILT-IN LP TANK ENCLOSURE KIT



Summit® Built-In LP Tank Enclosure Kit  
(Model #: 21287)

*THESE ACCESSORIES MAY BE PURCHASED SEPARATELY.*

### YOU MUST READ THIS OWNERS GUIDE BEFORE OPERATING YOUR GAS GRILL

#### ⚠ DANGER

If you smell gas:

1. Shut off gas to the appliance.
  2. Extinguish any open flames.
  3. Open lid.
  4. If odor continues, keep away from the appliance and immediately call your gas supplier or your fire department.
- Leaking gas may cause a fire or explosion which can cause serious bodily injury or death, or damage to property.

#### ⚠ WARNING

1. Do not store or use gasoline or other flammable liquids or vapors in the vicinity of this or any other appliance .
2. An LP cylinder not connected for use shall not be stored in the vicinity of this or any other appliance.

⚠ **WARNING:** Follow all leak-check procedures carefully in this manual prior to barbecue operation. Do this even if the barbecue was dealer-assembled.

**NOTICE TO INSTALLER:** These instructions must be left with the owner and the owner should keep them for future use.

**THIS GAS APPLIANCE IS DESIGNED FOR OUTDOOR USE ONLY.**

⚠ **WARNING:** Do not try to light this appliance without reading the “Lighting Instructions” section of this manual.



42390 US 10/01/05  
LP  
US English

## **⚠️ DANGERS & ⚠️ WARNINGS**

### **⚠️ DANGER**

Failure to follow the Dangers, Warnings and Cautions contained in this Owner's Manual may result in serious bodily injury or death, or in a fire or an explosion causing damage to property.

### **⚠️ WARNINGS**

- ⚠️ Do not store a spare or disconnected liquid propane cylinder under or near the barbecue.
- ⚠️ Improper assembly may be dangerous. Please carefully follow the assembly instructions in this manual.
- ⚠️ Do not operate the Weber® gas barbecue if there is a gas leak present.
- ⚠️ Do not use a flame to check for gas leaks.
- ⚠️ Combustible materials should never be within 24 (60.96cm) inches of the top, bottom, back or sides of your Weber® gas barbecue.
- ⚠️ Do not put a barbecue cover or anything flammable on, or in the storage area under the barbecue.
- ⚠️ Your Weber® gas barbecue should never be used by children. Accessible parts of the barbecue may be very hot. Keep young children away while it is in use.
- ⚠️ You should exercise reasonable care when operating your Weber® gas barbecue. It will be hot during cooking or cleaning and should never be left unattended, or moved while in operation.
- ⚠️ Liquid propane gas is not natural gas. The conversion or attempted use of natural gas in a liquid propane unit or liquid propane gas in a natural gas unit is dangerous and will void your warranty.
- ⚠️ Do not attempt to disconnect any gas fitting while your barbecue is in operation.
- ⚠️ Keep any electrical supply cord and the fuel supply hose away from any heated surfaces.
- ⚠️ Do not use this Weber® tank enclosure kit unless all parts are in place. The unit must be properly assembled according to the instructions outlined in the "Assembly Instruction" section of the Owner's Guide.

#### **LIQUID PROPANE GAS UNITS ONLY:**

- ⚠️ Use the regulator that is supplied with your Weber® Tank Enclosure Kit.
- ⚠️ Do not attempt to disconnect the gas regulator or any gas fitting while your barbecue is in operation.
- ⚠️ A dented or rusty liquid propane cylinder may be hazardous and should be checked by your liquid propane supplier. Do not use a liquid propane cylinder with a damaged valve.
- ⚠️ Although your liquid propane cylinder may appear to be empty, gas may still be present, and the cylinder should be transported and stored accordingly.
- ⚠️ If you see, smell or hear the hiss of escaping gas from the liquid propane cylinder:
  1. Move away from liquid propane cylinder.
  2. Do not attempt to correct the problem yourself.
  3. Call your fire department.

**OPERATING**

- ⚠ **WARNING: Only use the Weber® Tank Enclosure Kit outdoors in a well-ventilated area. Do not use in a garage, building, breezeway or any other enclosed area.**
- ⚠ **WARNING: Your Weber® Tank Enclosure Kit shall not be used under an unprotected combustible roof or overhang.**
- ⚠ **WARNING: Your Weber® Tank Enclosure Kit is not intended to be installed in or on recreational vehicles and/or boats.**
- ⚠ **WARNING: Keep any electrical supply cord and the fuel supply hose away from any heated surface.**
- ⚠ **WARNING: Never store an extra (spare) LP cylinder under or near the Weber® gas barbecue.**
- ⚠ **WARNING: Keep the ventilation openings of the cylinder enclosure free and clear of debris.**
- ⚠ **WARNING: Turn off the gas at the LP gas supply cylinder when the outdoor cooking gas appliance is not in use.**
- ⚠ **WARNING: Never store an outdoor cooking gas appliance indoors unless the LP cylinder is disconnected and removed from the outdoor cooking gas appliance.**
- ⚠ **WARNING: LP Cylinders must be stored outdoors out of the reach of children and must not be stored in a building, garage, or any other enclosed area.**
- ⚠ **WARNING: The LP pressure regulator and hose assembly supplied with the Weber® Tank Enclosure Kit must be used. Replacement LP pressure regulators and hoses must be obtained from Weber-Stephen Product Co.**

**WARRANTY**

Weber-Stephen Products Co. (Weber) hereby warrants to the ORIGINAL PURCHASER of this Weber® gas grill that it will be free of defects in material and workmanship from the date of purchase as follows:

**All Parts,**

**5 years**

when assembled and operated in accordance with the printed instructions accompanying it.

Weber may require reasonable proof of your date of purchase. THEREFORE, YOU SHOULD RETAIN YOUR SALES SLIP OR INVOICE.

This Limited Warranty shall be limited to the repair or replacement of parts that prove defective under normal use and service and which on examination shall indicate, to Weber's satisfaction, they are defective. Before returning any parts, contact the Customer service representative in your region using the contact information sheet provided with your manual. If Weber® confirms the defect and approves the claim, Weber® will elect to replace such parts without charge. If you are required to return defective parts, transportation charges must be prepaid. Weber® will return parts to the purchaser, freight or postage prepaid. This Limited Warranty does not cover any failures or operating difficulties due to accident, abuse, misuse, alteration, misapplication, vandalism, improper installation or improper maintenance or service, or failure to perform normal and routine maintenance, including but not limited to damage caused by insects within the burner tubes, as set out in this owner's manual.

Deterioration or damage due to severe weather conditions such as hail, hurricanes, earthquakes or tornadoes, discoloration due to exposure to chemicals either directly or in the atmosphere, is not covered by this Limited Warranty.

There are no other express warrants except as set forth herein and any applicable implied warranties of merchantability and fitness are limited in duration to the period of coverage of this express written Limited Warranty. Some regions do not allow limitation on how long an implied warranty lasts, so this limitation may not apply to you.

Weber® is not liable for any special, indirect or consequential damages. Some regions do not allow the exclusion or limitation of incidental or consequential damages, so this limitation or exclusion may not apply to you.

Weber® does not authorize any person or company to assume for it any other obligation or liability in connection with the sale, installation, use, removal, return, or replacement of its equipment; and no such representations are binding on Weber®.

This Warranty applies only to products sold at retail.

WEBER-STEPHEN PRODUCTS CO.  
Customer Service Center  
1890 Roselle Road, Suite 308  
Schaumburg, IL 60195  
USA

[www.weber.com](http://www.weber.com)®

### TYPICAL 20 LP PROPANE GAS SUPPLY INSTALLATION

We strongly recommend that you use the Summit® Built-In Tank Cabinet (#21280) for installations using a 20 lb LP cylinder, mounted remotely in an “island” structure.

The Summit® Built-In Tank Cabinet is a CSA listed accessory for installing a remote mounted 20 lb LP cylinder, in an “island” structure. Summit® Built-In Tank Cabinet has a hose and regulator assembly and gas connections, for connecting a remote mounted LP cylinder to the Summit® Built-In gas grill. The hose and regulator is listed as a required part of the CSA listed Summit® Built-In gas grill.

The Summit® Built-In Tank Cabinet also meets the requirements for venting, tank retention and separation of the LP cylinder from a heat source as outlined in the ANSI Standard for Outdoor Cooking Gas Appliances, Z21.58/ CSA 1.6 for LP enclosures.

The Summit® Built-In Tank Cabinet has its own installation guide.

If you do not use the Summit® Built-In Tank Cabinet, you need to hire a licensed contractor or licensed plumber and they need to follow the requirements described in the ANSI Standard for Outdoor Cooking Gas Appliances, Z21.58/CSA 1.6 for LP enclosures.

The requirements described in the Standard for Outdoor Cooking Gas Appliances, Z21.58/CSA 1.6, are as follows;

A remote enclosure for an LP gas cylinder shall be ventilated by openings at both the upper and lower levels of the cylinder. This shall be accomplished by one of the following:

- a). One side of the remote LP cylinder enclosure shall be completely open; or
- b). If the remote LP cylinder enclosure is designed to have four sides, a top and a bottom, ventilation is required for the remote LP cylinder enclosure;
  - 1). There should be at least two ventilation openings, (a hole or group of holes, for the purpose of ventilation) in the sidewalls of the island structure. The openings should be located within 5 inches (127mm) of the top of the enclosure. The ventilation openings should be equally sized and spaced at a minimum of 90 degrees, and be unobstructed. The openings shall have a total free open area of not less than 20 square inches. (This relates to 1 square inch of ventilation area, per pound of stored fuel capacity).
- 2). Ventilation openings (a hole or group of holes, for the purpose of ventilation) should be provided at floor level. The ventilation openings should have a total free area of not less than 10 square inches. (This relates to 1/2 square inch of ventilation area, per pound of stored fuel capacity). There should be at least two ventilation openings if the ventilation openings at floor level are in the sidewall. The ventilation openings should be within 5 inches (127mm) of the floor. The ventilation openings should be of equal size and be spaced at a minimum of 90 degrees, and should be unobstructed.
- 3). The minimum size of the ventilation hole (s) should not be less than 1/4 inch.
- 4). The ventilation openings in the sidewalls should not allow venting into the empty or “hollow” area of the “island”. If a gas leak should occur or the LP cylinder should vent in the LP cylinder enclosure, the gas should not be allowed to vent or migrate into the empty or “hollow” area of the “island”. Ventilation openings in the sidewalls of the enclosure should only communicate with the outside of the “island” structure, so that the gas can dissipate outside of the “island” structure.
- c). If the remote LP cylinder enclosure has four sides, a top and a bottom, and is intended for installation in a built-in “island” enclosure;
  - 1). At least one ventilation opening (a hole or group of holes, for the purpose of ventilation) needs to be on one side of the enclosure that communicates with the outside of the “island” structure. If a gas leak should occur or the LP cylinder should vent in the LP cylinder enclosure, the gas should not be allowed to vent or migrate into the empty or “hollow” area of the “island”. Ventilation openings should only communicate with the outside of the “island” structure, so that the gas can dissipate outside of the “island” structure. The ventilation opening should be located within 5 inches (127mm) of the top of the enclosure, and should have a total free area of 20 square inches. (This relates to 1 square inch of ventilation area, per pound of stored fuel).
  - 2). At least one ventilation opening (a hole or group of holes, for the purpose of ventilation) needs to be on one side of the enclosure that communicates with the outside of the “island” structure, at the bottom. If a gas leak should occur or the LP cylinder should vent in the LP cylinder enclosure, the gas should not be allowed to vent or migrate into the empty or “hollow” area of the “island”. Ventilation openings should only communicate with the outside of the “island” structure, so that the gas can dissipate outside of the “island” structure. The ventilation opening should be located within 5 inches (127mm) of the bottom of the enclosure, and should have a total free area of 10 square inches. (This relates to 1/2 square inch of ventilation area, per pound of stored fuel).
  - 3). The minimum size of the ventilation hole (s) should not be less than 1/4 inch.
- d). The remote LP cylinder enclosure should be constructed with non-combustible materials. The remote LP cylinder enclosure should isolate the LP cylinder from the burner compartment, so that it provides shielding from radiation, be a flame barrier and provide protection from foreign material such as hot drippings.
- e). There should be a minimum of 2 inches (50.8mm) between the ground and the floor of the remote LP cylinder enclosure.
- f). The LP cylinder valve should be readily accessible for hand operation. A door on the remote LP cylinder enclosure to gain access to the LP cylinder valve is acceptable, provided it is non-locking and can be opened without the use of tools.

If your, licensed contractor or licensed plumber, builds an LP cylinder enclosure following the guidelines in the ANSI Standard for Outdoor Cooking Gas Appliances, Z21.58 CSA 1.6, you need to order kit number (#21287), which will contain the hose and regulator assembly, mounting bracket for the regulator, connection fittings and LP tank bracket for retaining the LP cylinder that must be used with the Summit® Built-In gas grill. The hose and regulator in the kit (#21287) is listed as part of the CSA listed Summit® Built-In gas grill.

**⚠DANGER**

Use of any other hose and regulator assembly could be dangerous, and may not provide adequate gas supply to the Summit® Built-In gas grill, and could result in a fire or an explosion causing serious bodily injury or death and damage to property.

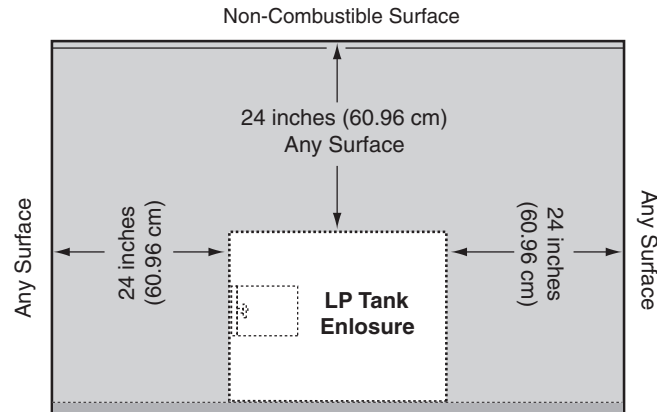
**⚠DANGER**

Failure to use the the Summit® Built-In Tank Cabinet for a 20 lb cylinder or failure to build a LP cylinder enclosure for a 20 lb cylinder following the requirements for ventilation, cylinder retention and separation of the LP cylinder from a heat source, listed in the ANSI Standard for Outdoor Cooking Gas Appliances, ANSI Z21.58 CSA 1.6, could be dangerous, and could result in a fire or an explosion causing serious bodily injury or death and damage to property.

If you do not follow the DANGER statements exactly, the Warranty on the Summit® Built-In gas grill will be voided.

**LOCATING YOUR LP TANK ENCLOSURE KIT**

When determining a suitable location for your LP Tank Enclosure Kit installation, give attention to concerns such as proximity to traffic paths, and keeping any gas supply lines as short as possible. Never locate the Summit® LP Tank Enclosure Kit in a garage, breezeway, shed, under an un-protected overhang, or other enclosed area. Locate the LP Tank Enclosure Kit and structure so there is enough room to safely evacuate the area in case of a fire.



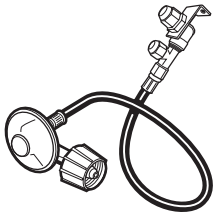
**CLEARANCE FROM COMBUSTIBLE SURFACES OR STRUCTURES**

**⚠WARNING:** Clearance from the outside walls of the sides and back of the LP Tank Enclosure must be a minimum of 24 (60.96cm) inches any surface. Refer to “Typical Gas Supply Installation” before starting installation.

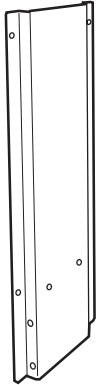
**⚠WARNING:** The structure, “island” counter tops and adjacent work areas for the LP Tank Enclosure must be built from noncombustible materials only.

*NOTE: If you have questions on what materials are considered noncombustible, contact you local building supplier or fire department.*

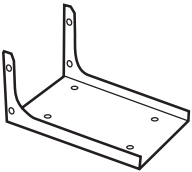
PARTS LIST



Hose and regulator - 1



Tank stand - 1



Tank stand base - 1



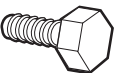
Tank Scale - 1



1/4-20 nut - 6



Nylon washer - 12



1/4-20 x 1/2" bolt - 6



Cylinder glide - 2

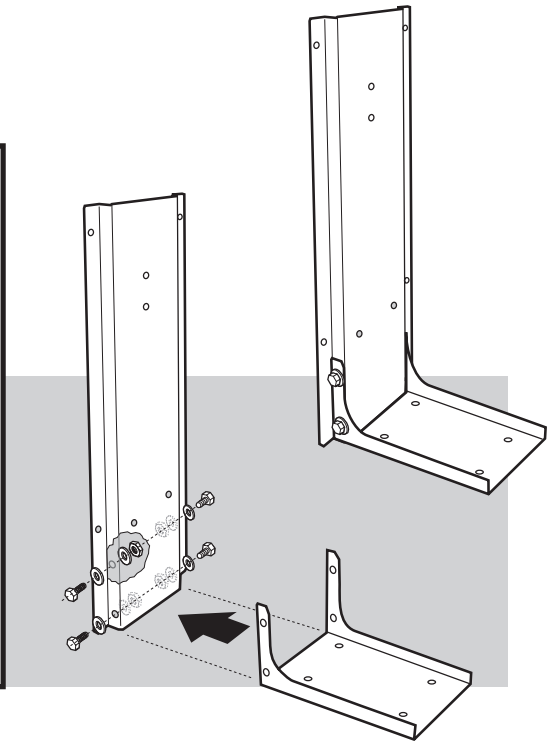
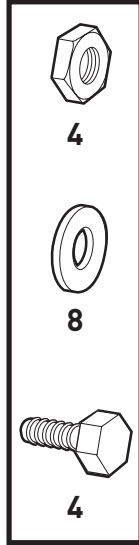


1/2" Flare Gasket - 2

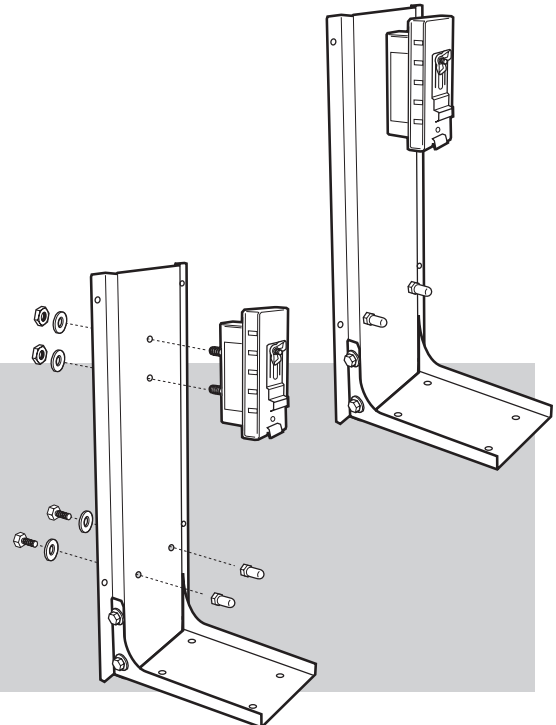
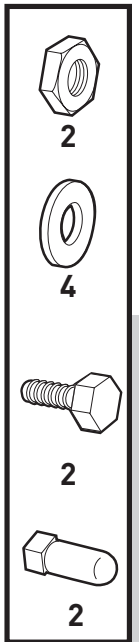


3/8" Flare Gasket - 2

1



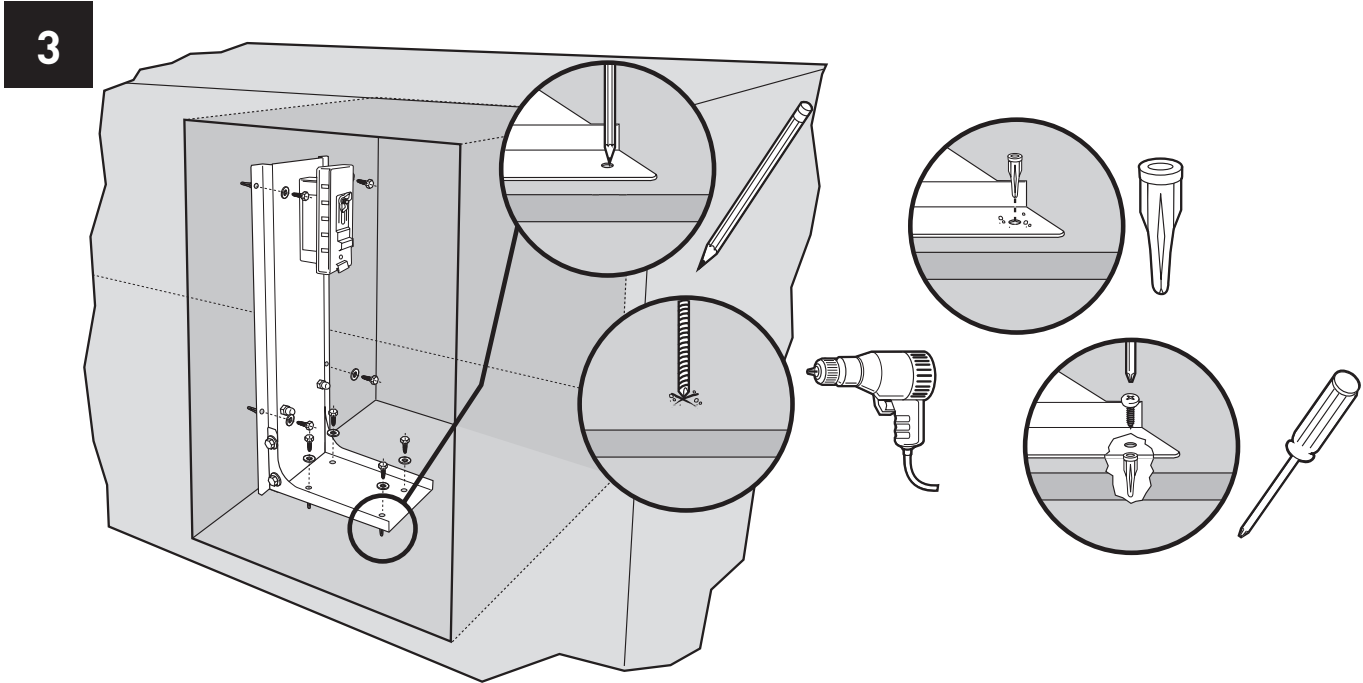
2



## MOUNTING THE LP TANK BRACKET

Mount the LP tank bracket to the right hand side of the enclosure opening using non corrosive hardware. Mounting holes are provided on the sides and bottom of your LP tank bracket. Be sure to mount the bracket securely to the enclosure before use.

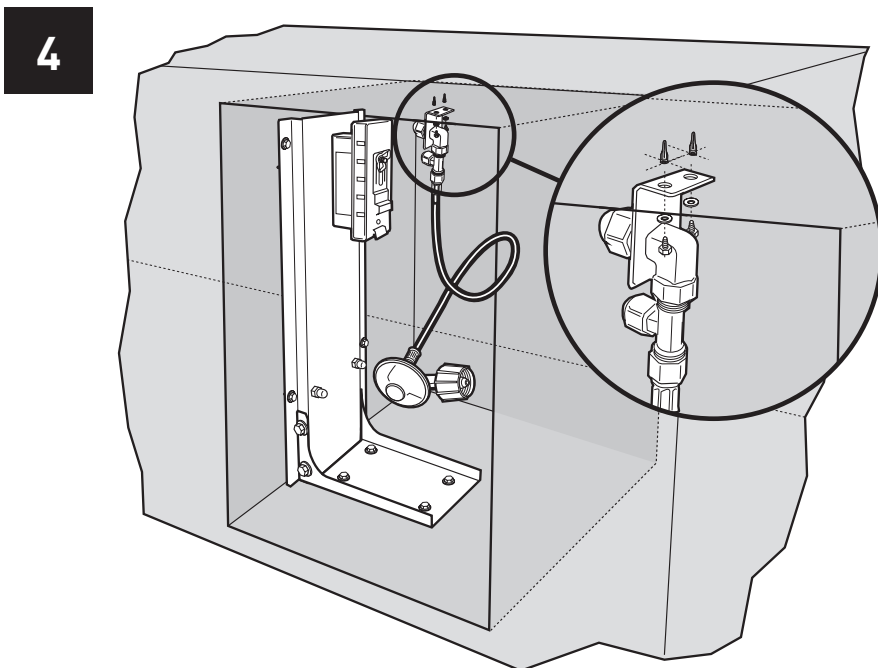
**MOUNTING HARDWARE NOT INCLUDED.**



## MOUNTING THE LP HOSE AND REGULATOR

Securely mount the hose and regulator bracket to the top of the built-in tank enclosure using non corrosive hardware.

**MOUNTING HARDWARE NOT INCLUDED.**



## LP TANK ENCLOSURE GAS LINE LOCATIONS

Area should be kept clear of sharp, jagged, or extremely abrasive surfaces to avoid possible damage to gas supply lines. Exercise caution when pulling gas lines through built-in structure.

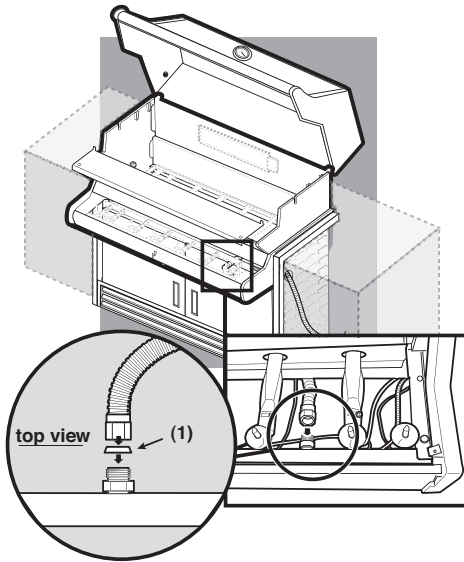
### CONNECT GAS SUPPLY

A 58 inch corrugated gas line is supplied with the grill. This line needs to pass through the gas inlet opening to the main gas supply.

- 1) Connect the corrugated gas line to the manifold located on the right hand side of grill under the control panel.

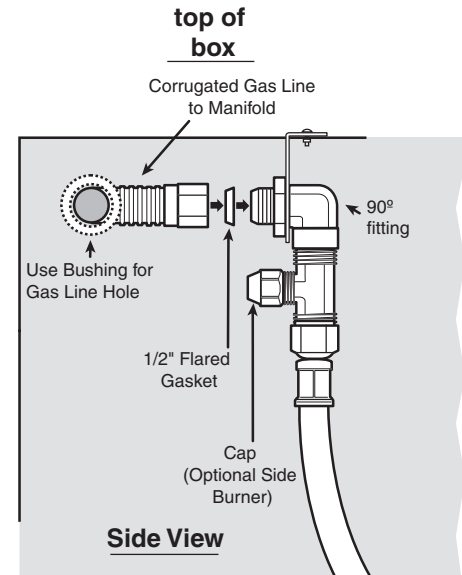
**Note: Leave an access in the "island" structure for gas supply and regulator service not inside the grill structure. Weber® has a gas line and regulator access door (part # 36311) available from your dealer or call Customer Service at 1-800-446-1071.**

- 2) Uncap one flare fitting from the 90° Connection located inside the Summit® Built-In Tank Cabinet (#21280).



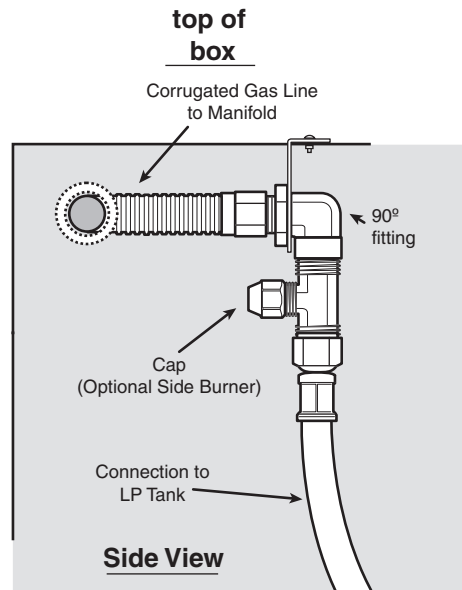
- 3) Use the 1/2 inch flared gasket to ensure proper seal.  
NOTE: Only use the 3/8 inch flared gasket if you are installing the optional side burner.
- 4) Connect the corrugated gas line to the 90° Connection.

**back of box**



**Side View**

**back of box**



**Side View**

### FILL LIQUID PROPANE CYLINDER

To fill, take the liquid propane cylinder and filler adapter to an RV center or look up gas-propane in the phone book for other sources of liquid propane gas.

**⚠WARNING: We recommend that your liquid propane cylinder be filled at an authorized liquid propane gas dealer by a qualified attendant, who fills the tank by weight.**

### IMPROPER FILLING IS DANGEROUS.

The liquid propane cylinder must be installed, transported and stored in an upright position, and should not be dropped or handled roughly. Never store or transport the liquid propane cylinder where temperatures can reach 125°F / 51°C (too hot to hold by hand – for example: do not leave the liquid propane cylinder in a car on a hot day).

For full instructions on safe handling of liquid propane cylinders, see Section "Operating".



## IMPORTANT LP CYLINDER INFORMATION

Failure to follow these DANGER statements exactly may result in a fire causing death or serious injury.

### ⚠ DANGER

- ⚠ NEVER store a spare LP cylinder under or near this barbecue.
- ⚠ NEVER fill the tank beyond 80% full.

⚠ **WARNING:** Only use this grill outdoors in a well-ventilated area. Do not use in a garage, building, breezeway or any other enclosed area.

### CHECK THAT ALL BURNER VALVES ARE OFF

Valves are shipped in the OFF position, but you should check to be sure that they are turned OFF. Check by pushing down and turning clockwise. If they do not turn, they are off. Proceed to the next step. If they do turn, continue turning them clockwise until they stop, then they are off. Proceed to the next step.

## CONNECTING THE LIQUID PROPANE CYLINDER

⚠ **WARNING:** Make sure that the LP cylinder valve is closed. Close by turning valve clockwise.

### ⚠ DANGER

Do not use an open flame to check for gas leaks. Be sure there are no sparks or open flames in the area while you check for leaks. Sparks or flames will result in a fire or explosion which can cause serious bodily injury or death, and damage to property.

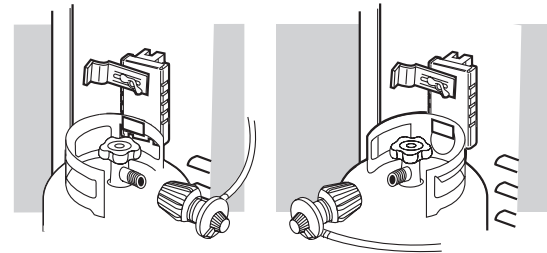
Some of the tanks have differing top collar assemblies. (The top collar is the metal protective ring around the valve.) One series of tanks mount with the valve facing front. The other tanks mount with the valve facing away from the fuel scale. These types of tanks are illustrated below.

You will need: LP cylinder, a soap and water solution and a rag or brush to apply it.

- 1) Turn the LP cylinder so the opening of the valve is either to the front, side or rear of the Weber® gas barbecue. Lift and hook the cylinder onto the fuel gauge.
- 2) Loosen the cylinder lock wing nut. Swing the cylinder lock down. Tighten the wing nut.

### To Connect the hose to the cylinder:

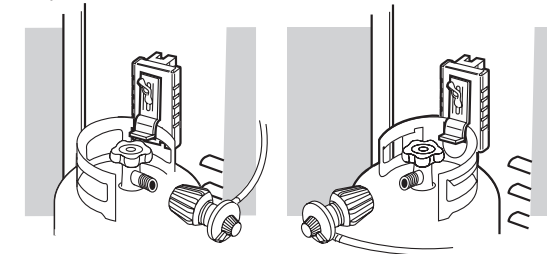
- 3) Remove the plastic dust cover from the valve.
- 4) Screw the regulator coupling onto the tank valve, clockwise, or to the right. Hand-tighten only.



Note: This connection tightens clockwise and will not allow gas to flow unless the connection is tight. The connection requires tightening by hand only.

⚠ **WARNING:** Do not use a wrench to tighten the connection. Using a wrench could damage the regulator coupling and could cause a leak.

- 5) Mix soap and water.



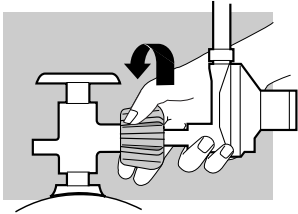
⚠ **ATTENTION:** This product has been safety tested and is only certified for use in a specific country. Refer to country designation located on outer carton.

These parts may be gas carrying or gas burning components. Please contact Weber-Stephen Products Co., Customer Service Department for genuine Weber-Stephen Products Co. replacement part(s) information.

⚠ **WARNING:** Do not attempt to make any repair to gas carrying or gas burning components without contacting Weber-Stephen Products Co., Customer Service Department. Your actions, if you fail to follow this product Warning, may cause a fire or an explosion resulting in serious personal injury or death and damage to property.

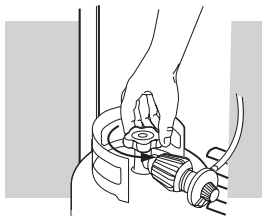
- 6) Turn on the cylinder valve.
- 7) Check for leaks by wetting the fitting with the soap and water solution and watching for bubbles. If bubbles form, or if a bubble grows, there is a leak.

If there is a leak, turn off the gas and tighten the fitting. Turn the gas back on and recheck with the soap and water solution.



If leak does not stop, Contact the Customer Service Representative in your region using the contact information sheet provided with your manual. Do not use the barbecue.

- 8) When leak checking is complete, turn gas supply OFF at the source and rinse connections with water.



### CHECK FOR GAS LEAKS

After a period of nonuse, we recommend that you perform the following maintenance procedures for your safety.

**⚠ WARNING: Check the hose before each use of the grill for nicks, cracking, abrasions or cuts. If the hose is found to be damaged in any way, do not use the grill. Replace using only Summit® authorized replacement hose. Contact the Summit® Built-In Customer Service at 1-800-446-1071.**

- Inspect the burners for correct flame pattern. Clean if necessary, following the procedures outlined in the "General Maintenance" section of this manual.
- Check all gas fittings for leaks.

### ⚠ DANGER

**Do not use an open flame to check for gas leaks. Be sure there are no sparks or open flames in the area while you check for leaks. Sparks or open flames will result in a fire or explosion, which can cause serious bodily injury or death and damage to property.**

**⚠ WARNING: You should check for gas leaks every time you disconnect and reconnect a gas fitting.**

*Note - All factory-made connections have been thoroughly checked for gas leaks. The burners have been flame-tested. As a safety precaution however, you should recheck all fittings for leaks before using your Weber® Gas Barbecue. Shipping and handling may loosen or damage a gas fitting.*

**⚠ WARNING: Perform these leak checks even if your barbecue was dealer or store assembled.**

*You will need: a soap and water solution, and a rag or brush to apply it. Note - Since some leak test solutions, including soap and water, may be slightly corrosive, all connections should be rinsed with water after checking for leaks.*

Make sure side burner is OFF.

To perform leak checks: open cylinder valve by turning the cylinder valve hand-wheel counterclockwise.

**⚠ WARNING: Do not ignite burners when leak checking.**

Check for leaks by wetting the connections with the soap and water solution and watching for bubbles. If bubbles form or if a bubble grows, there is a leak.

**Check:**

- 1) Gas Line-to-"T" Connection
- 2) Regulator-to-Cylinder connection.

**⚠ WARNING: If there is a leak at connection (1), retighten the fitting with a wrench and recheck for leaks with soap and water solution.**

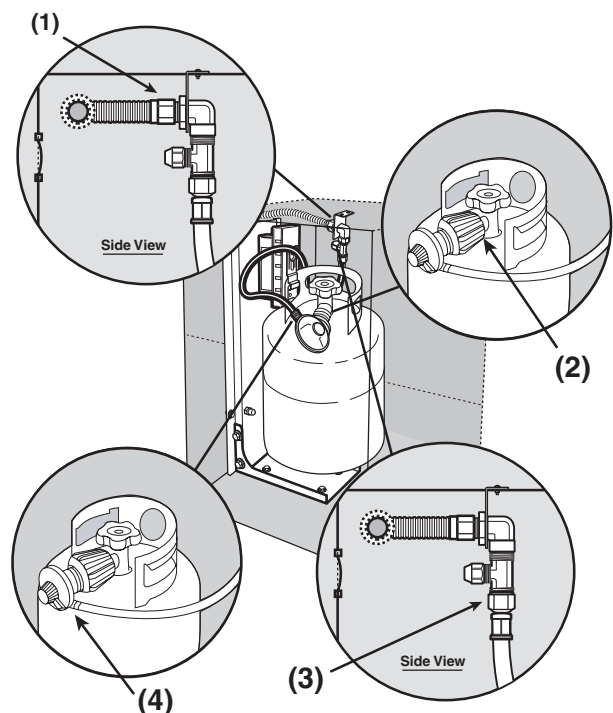
**If a leak persists after re-tightening the fitting, turn OFF the gas. DO NOT OPERATE THE GRILL. Contact Customer Service 1-800-446-1071.**

**Check:**

- 3) "T" Connection-to-Hose connections.
- 4) The hose-to-Regulator connection.

**⚠ WARNING: If there is a leak at connections (2,3, or 4), turn OFF the gas. DO NOT OPERATE THE GRILL. Contact Customer Service 1-800-446-1071.**

When leak checks are complete, turn gas supply OFF at the source and rinse connections with water.



## REFILLING THE LIQUID PROPANE CYLINDER

We recommend that you refill the LP cylinder before it is completely empty.

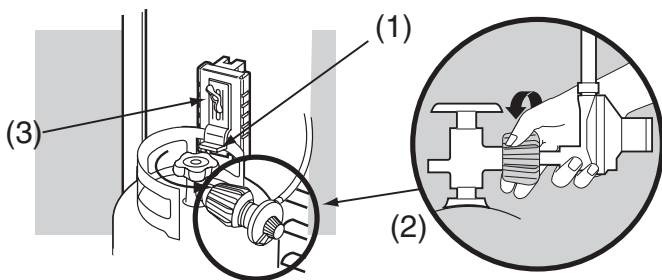
### Removal of the LP cylinder

- 1) Close cylinder valve (turn clockwise).
- 2) Unscrew regulator coupling by turning counterclockwise, by hand only.
- 3) Loosen cylinder lock wing nut and turn cylinder lock up out of the way.
- 4) Lift cylinder off.

To refill, take LP cylinder to a "Gas Propane" dealer.

**⚠ WARNING: We recommend that your LP cylinder be filled at an authorized LP gas dealer, by a qualified attendant, who fills the cylinder by weight. IMPROPER FILLING IS DANGEROUS.**

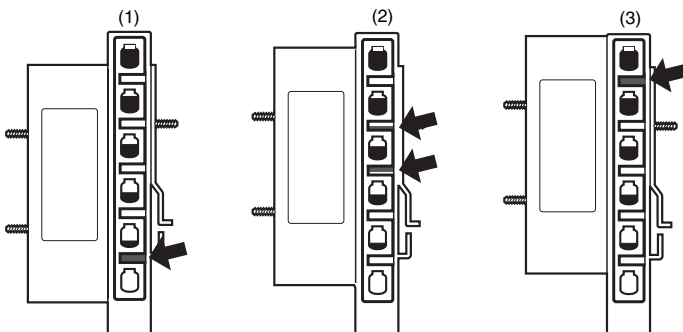
**⚠ CAUTION: When transporting the LP cylinder make sure the plastic dust cover is in place over the valve. This will keep dust and dirt from the threaded portion of the valve.**



## CHECKING THE FUEL LEVEL IN YOUR TANK

Check the fuel level by viewing the color indicator level line on the side of the tank scale.

- 1) Empty
- 2) Medium
- 3) Full



## SAFE HANDLING TIPS FOR LIQUID PROPANE GAS CYLINDERS

- Liquid Propane (LP) gas is a petroleum product as are gasoline and natural gas. LP gas is a gas at regular temperatures and pressures. Under moderate pressure, inside a cylinder, LP gas is a liquid. As the pressure is released, the liquid readily vaporizes and becomes gas.
- LP gas has an odor similar to natural gas. You should be aware of this odor.
- LP gas is heavier than air. Leaking LP gas may collect in low areas and prevent dispersion.
- To fill, take the LP cylinder to an RV center, or look up "gas-propane" in the phone book for other sources of LP gas.

**⚠ WARNING: We recommend that your LP cylinder be filled at an authorized LP gas dealer, by a qualified attendant, who fills the tank by weight. IMPROPER FILLING IS DANGEROUS.**

**⚠ WARNING: If you exchange your LP cylinder, make sure you get a similar tank in return. Your LP cylinder is equipped with a quick closing coupling or type 1 valve and an OPD (Overfilling Prevention Device). Other LP cylinders may not be compatible with your barbecue connection.**

- Air must be removed from a new LP cylinder before the initial filling. Your LP dealer is equipped to do this.
- The LP cylinder must be installed, transported and stored in an upright position. LP cylinders should not be dropped or handled roughly.
- Never store or transport the LP cylinder where temperatures can reach 125° F (51.7° C) (too hot to hold by hand - for example: do not leave the LP cylinder in a car on a hot day).

*Note - A refill will last about 20 hours of cooking time at normal use. The fuel scale will indicate the propane supply so you can refill before running out. You do not have to run out before you refill.*

- Treat "empty" LP cylinders with the same care as when full. Even when the LP tank is empty of liquid there still may be gas pressure in the cylinder. **Always close the cylinder valve before disconnecting.**

**⚠ CAUTION: When transporting the LP cylinder make sure the plastic dust cover is in place over the valve. This will keep dust and dirt from the threaded portion of the valve.**

- Do not use a damaged LP cylinder. Dented or rusty LP cylinders or LP cylinders with a damaged valve may be hazardous and should be replaced with a new one immediately.

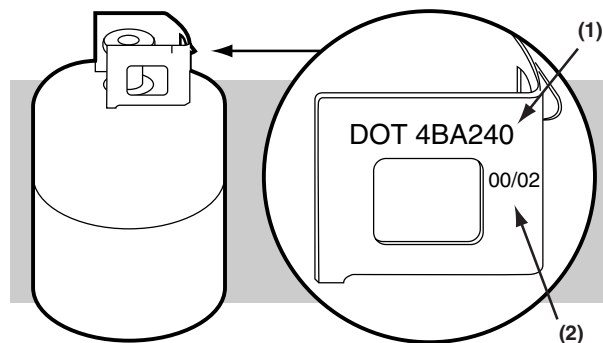
## LIQUID PROPANE (LP) CYLINDER(S)

- The joint where the hose connects to the LP cylinder must be leak tested each time the LP cylinder is reconnected. For example, test each time the LP cylinder is refilled.
- Be sure the regulator is mounted with the small vent hole pointed downward so that it will not collect water. This vent should be free of dirt, grease, bugs etc.
- The LP cylinder and connections supplied with your Weber® gas barbecue have been designed and tested to meet government, American Gas Association, and Underwriters Laboratories requirements.

# GAS INSTRUCTIONS

If you have questions about spare LP cylinders contact  
Customer Service at 1-800-446-1071.

- All LP tank supply systems must include a collar to protect the cylinder valve.
- The LP cylinder must be a 20-lb. size (18 1/4 inches high, 12 1/4 inches in diameter).
- The cylinder should be constructed and marked in accordance with the Specifications for LP - Gas Cylinders of the U.S. Department of Transportation (D.O.T.) or the National Standard of Canada, CAN/CSA-B339, Cylinders, Spheres and Tubes or Transportation of Dangerous Goods; and Commission, as applicable.



# TANK ENCLOSURE TROUBLESHOOTING

PROBLEM	CHECK	CURE
<b>Burner does not light.</b>	Is gas supply off?	Turn supply on.
<b>Flame is low in HIGH position.</b>	Is fuel hose bent or kinked?	Straighten fuel hose.
<b>Burners do not light -or- burners have a small flickering flame in the HIGH position -or- barbecue temperature only reaches 250° to 300° F in the HIGH position</b>	The excess flow safety device, which is part of the barbecue to cylinder connection, may have activated.	To reset the excess flow safety device turn all burner control knobs and the cylinder valve OFF. Disconnect the regulator from the cylinder. Turn burner control knobs to HIGH. Wait at least 1 minute. Turn burner control knobs OFF. Reconnect the regulator to the cylinder. Turn cylinder valve on slowly. Refer to "Lighting Instructions".
<b>If problems cannot be corrected by using these methods, please contact the Customer Service Representative in your area using the contact information on our web site. Log onto <a href="http://www.weber.com">www.weber.com</a>®.</b>		



WEBER-STEPHEN PRODUCTS CO.  
[www.weber.com](http://www.weber.com)®

©2005- The following trademarks are registered in the name of Weber-Stephen Products Co., an Illinois corporation, located at 200 East Daniels Road, Palatine, Illinois 60067 U.S.A. Australia; Smokey Joe, Weber, Kettle Silhouette®, Genesis, Austria; Kettle Silhouette®, Smokey Joe, Weber, Benelux; Kettle Silhouette®, Smokey Joe, Weber, Compact Grill Configuration, Botswana; Weber, Canada; Smokey Joe, Genesis, China; Kettle Silhouette®, Denmark; Kettle Silhouette®, Smokey Joe, Weber, Finland; Smokey Joe, France; Kettle Silhouette®, Smokey Joe, Weber, One-Touch, Germany; Smokey Joe, Weber, One-Touch, Greece; Smokey Joe, Ireland; Kettle Silhouette®, Smokey Joe, Italy; Smokey Joe, Weber, Japan; Smokey Joe, Weber, Korea; Smokey Joe, Weber, New Zealand; Weber, Smokey Joe, Nigeria; Weber, Norway; Smokey Joe, Weber, Portugal; Weber, South Africa; Smokey Joe, Weber, Kettle Configuration, Spain; Smokey Joe, Weber, Sweden; Kettle Silhouette®, Smokey Joe, Switzerland; Kettle Silhouette®, Smokey Joe, Weber, United Kingdom; Smokey Joe, Weber, Weber One-Touch, U.S.A.; Kettle Configuration, Kettle Silhouette®, Smokey Joe, Weber, One-Touch, Firespice, Go-Anywhere, U.S.A.; Kettle Configuration, Kettle Silhouette, Genesis, Flavorizer, Crossover, Flamgo, Performer, Rapidfire, Tuck 'N Carry, Jumbo Joe, Bar-B-Kettle, Master-Touch, Spirit, Grill Out, Summit, Platinum, 1-800-Grill-Out, Ranch, Matchless Flame, Zimbabwe; Weber, Kettle Configuration, Kettle Silhouette®. Printed in USA.